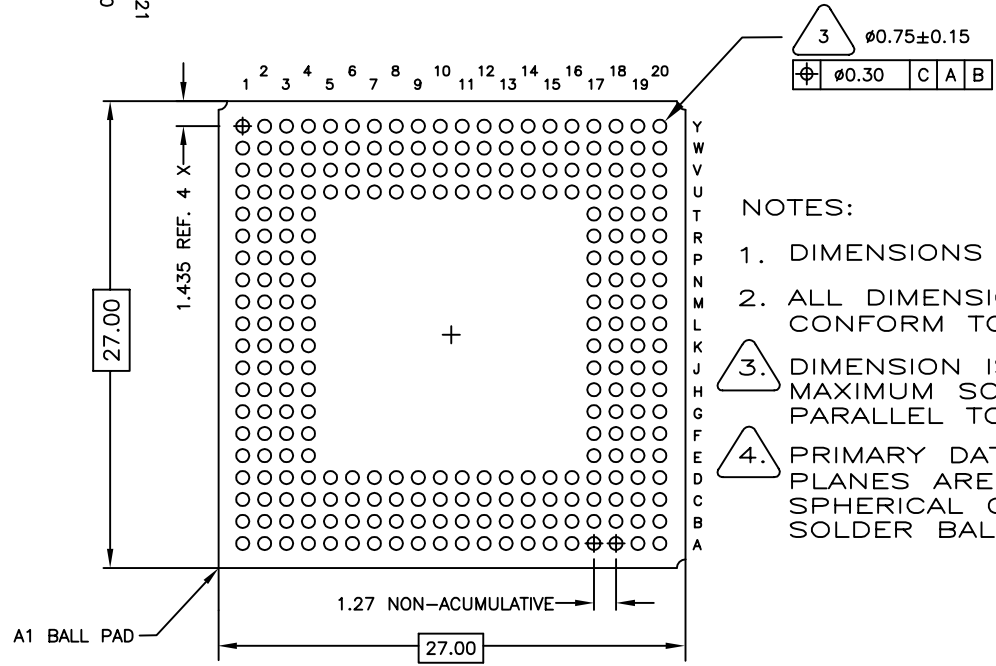
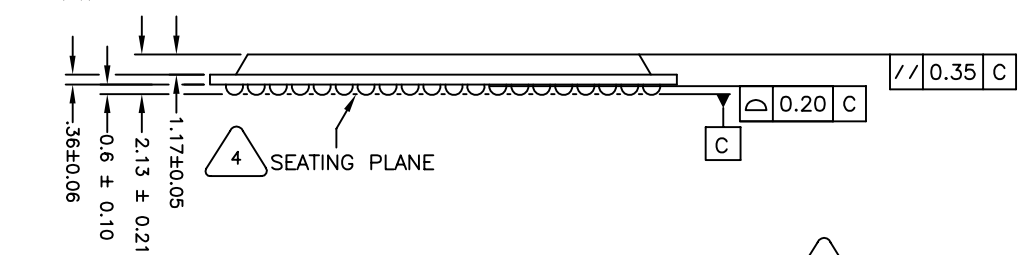
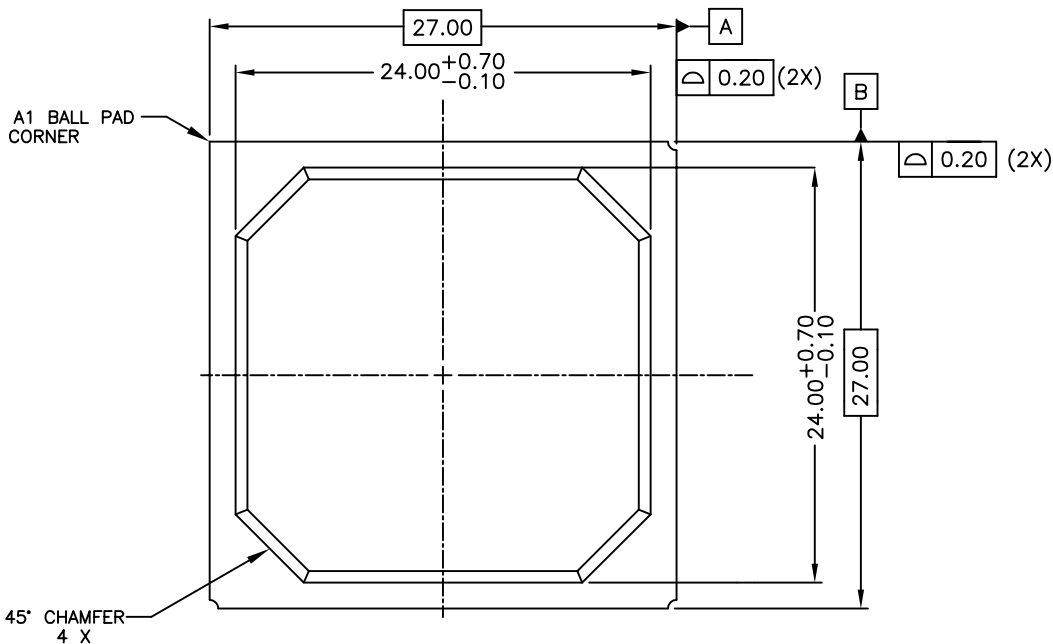


REVISIONS			
LTR.	DESCRIPTION	DATE	APPROVED
A	NEW DRAWING	5/98	
B	REVISE DWG PER ECN #24974	3/00	
C	REVISE DWG PER ECN #24974	3/00	



- NOTES:
1. DIMENSIONS ARE IN MILLIMETERS
 2. ALL DIMENSIONS AND TOLERANCE CONFORM TO ASME Y 14.5M-'94
 3. DIMENSION IS MEASURED AT THE MAXIMUM SOLDER BALL DIAMETER, PARALLEL TO PRIMARY DATUM C
 4. PRIMARY DATUM C AND SEATING PLANES ARE DEFINED BY THE SPHERICAL CROWNS OF THE SOLDER BALLS.

SIGNATURE		DATE									
DOC. CONTROL:								TITLE			
ENGR. MGR:								MARKETING OUTLINE, 256 LEAD, PBGA (27X27)			
MFG. ENGR:								1.27 MM PITCH, 2.13 MM THICK, 2 LAYER			
CHECKED BY:				SIZE	FSCM NO.	PART NO.	REV.				
DRAWN BY: NLK		3/00		A		56-G6002-001	C				
				SCALE	SHEET						
				N/A	1 of 1						