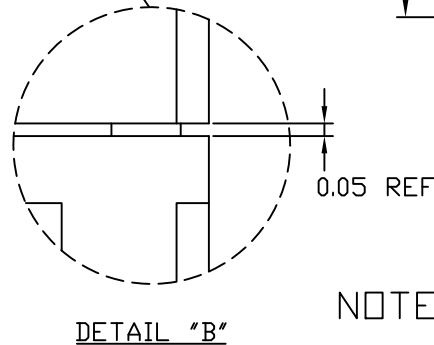
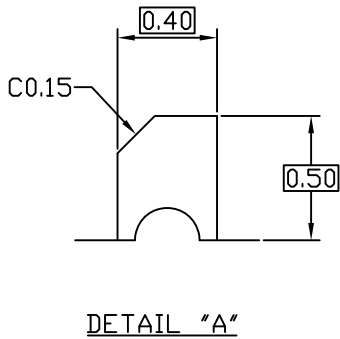
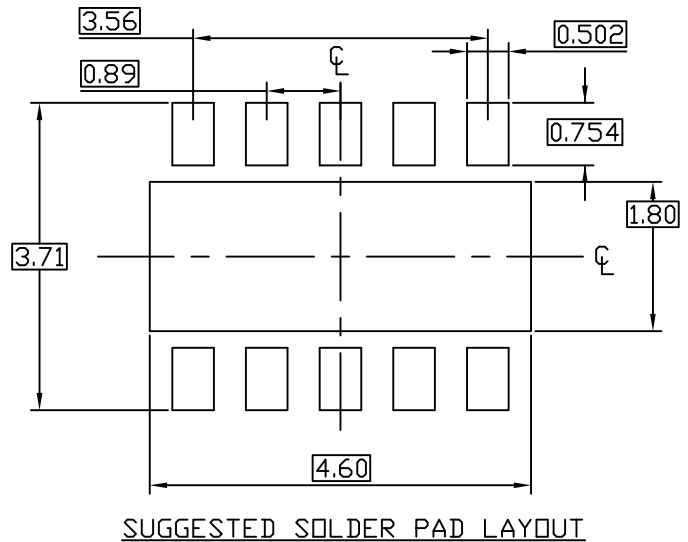
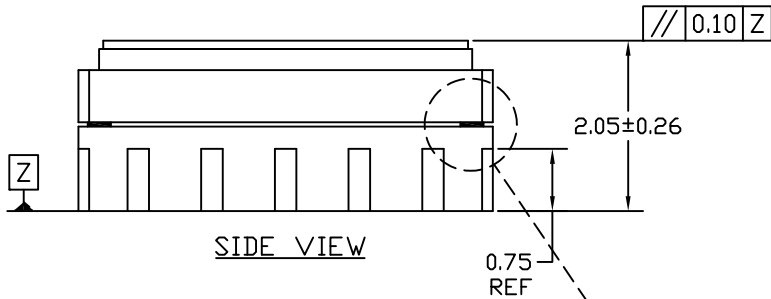
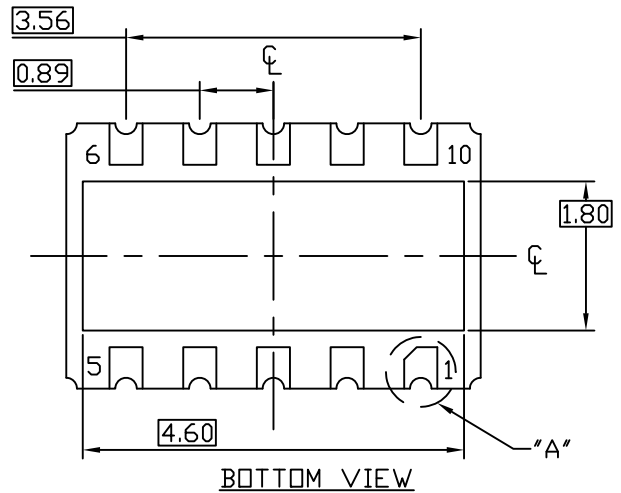
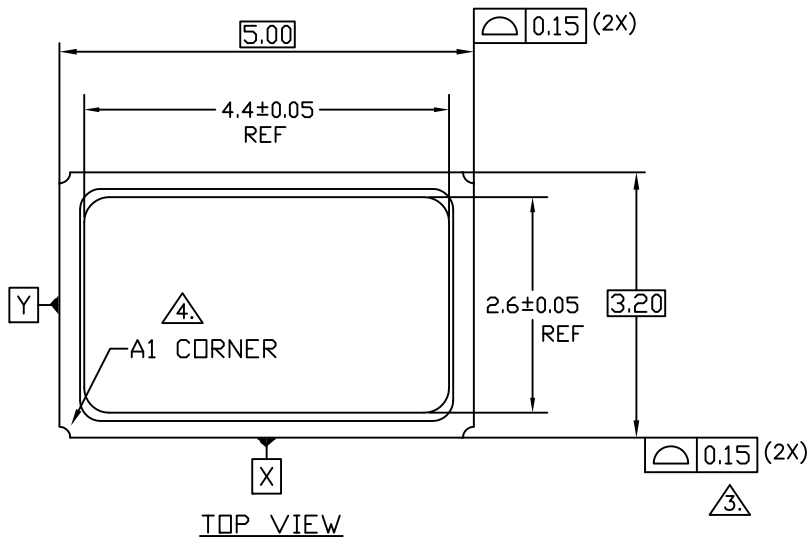


REVISIONS			
LTR.	DESCRIPTION	DATE	APPROVED
A	ECN 48036 NEW DRAWING	05/06	
B	ECN 48918 - CHGD TITLE		
B1	ECN 51055		



NOTES:

1. DIMENSIONING AND TOLERANCES PER ASME Y14.5M-1994.
2. ALL DIMENSIONS ARE IN MILLIMETERS.
3. BILATERAL TOLERANCE ZONE IS APPLIED TO EACH SIDE OF THE PACKAGE BODY.
4. A1 CORNER MUST BE IDENTIFIED BY INK/LASER MARK ON TOP PACKAGE, AND CHAMFERED PAD ON BOTTOM PACKAGE
5. UNLESS OTHERWISE SPECIFIED TOLERANCE  $\pm 0.13\text{mm}$ .

SIGNATURE		DATE		<p>TITLE MARKETING OUTLINE, 10 LEAD LCCC (5.00MM X 3.20MM X 2.05MM)</p>			
DDC. CONTROL:							
ENGR. MGR:							
MFG. ENGR:							
CHECKED BY: D. STORY		04/06		SIZE: A	FSCM NO.:	PART NO. 56-G5032-001	REV. B1
DRAWN BY: JFD		04/06		SCALE: N/A		SHEET: 1 of 1	