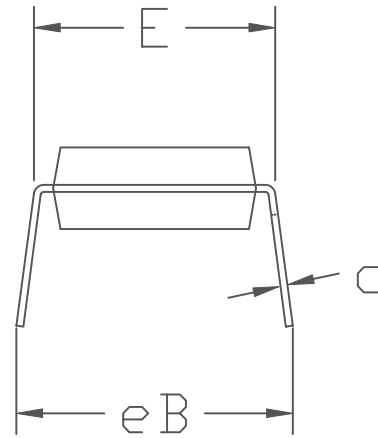
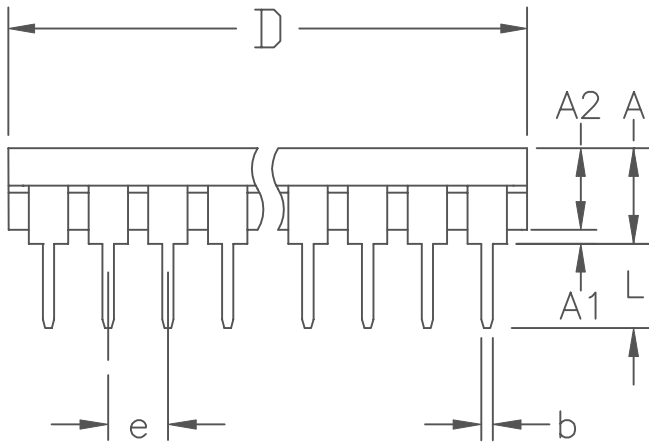
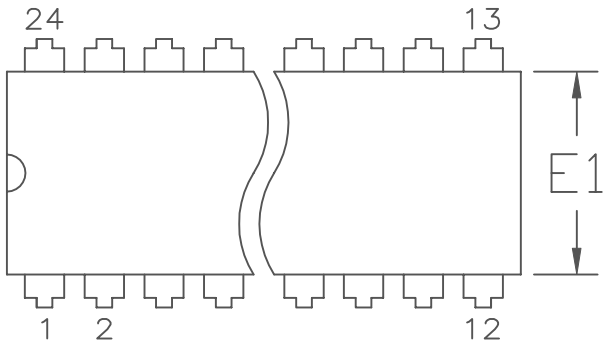



REVISIONS			
LTR	DESCRIPTION	DATE	APPROVED
A	NEW DRAWING	12/01	



	24 PIN	
	MIN	MAX
A	—	0.200
A1	0.015	—
A2	0.140	0.160
b	0.014	0.022
c	0.008	0.012
D	1.150	1.290
E	0.600	0.625
E1	0.530	0.555
e	0.090	0.110
L	0.115	0.145
eB	0.600	0.700

ALL DIMENSIONS ARE IN INCHES

SIGNATURE		DATE				
DOC. CONTROL:						
ENGR. MGR:						
MFG. ENGR:						
CHECKED BY: TWM		12/01	TITLE MARKETING OUTLINE, 24 LEAD PLASTIC DUAL-IN-LINE PACKAGE (0.600")			
DRAWN BY: JFD		12/01	SIZE A	FSCM NO.	PART NO. 56-G5000-003	REV A
DO NOT SCALE DWG.		SCALE N/A	SHEET 1 OF 1			