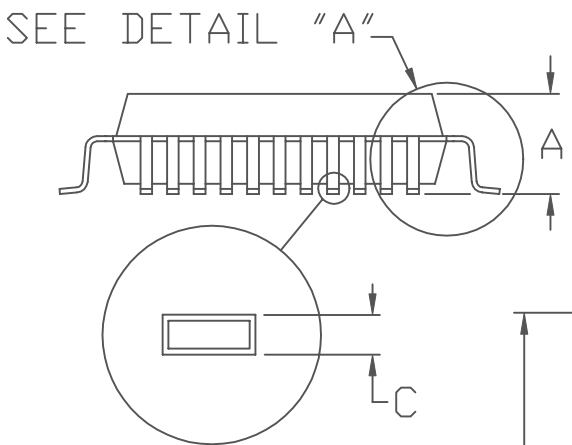
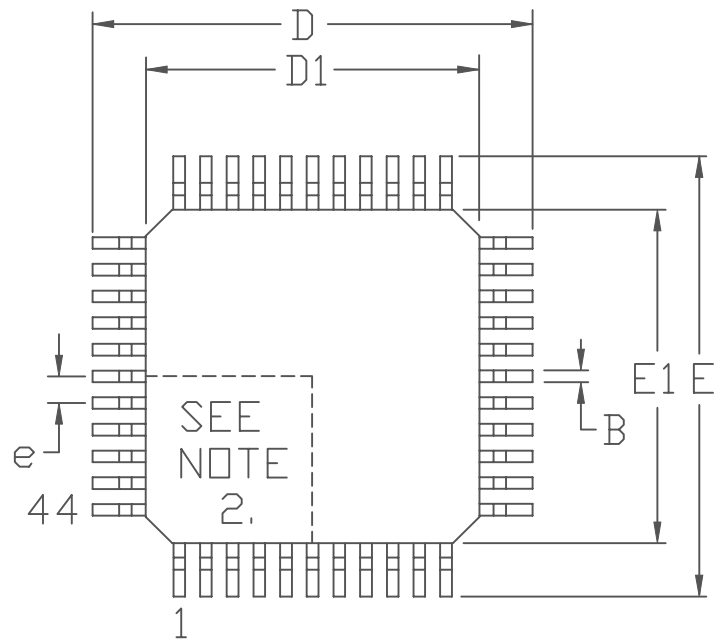
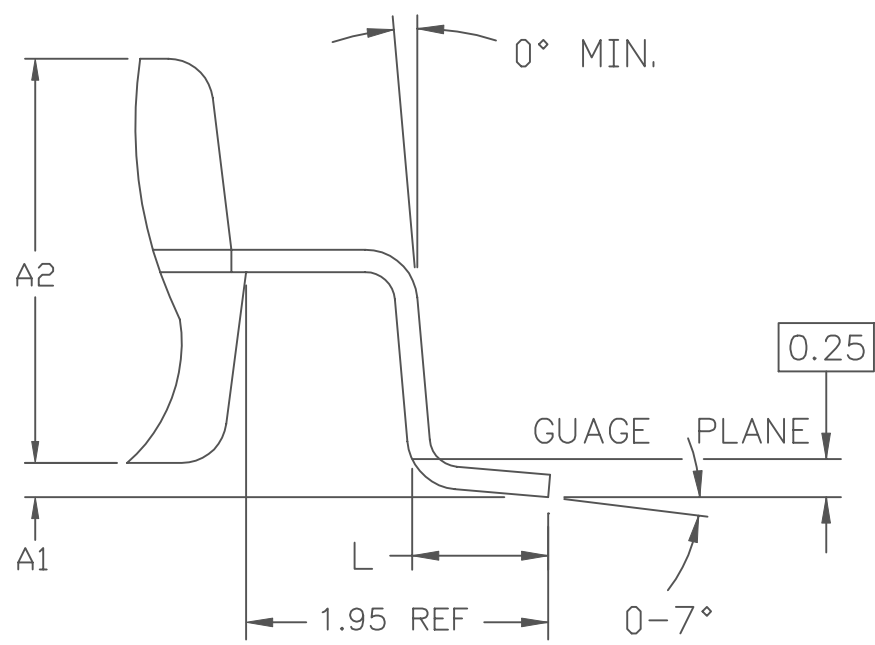


REVISIONS			
LTR	DESCRIPTION	DATE	APPROVED
A	NEW DRAWING	1/13/95	K. D.
B	PER ECN #10819		



NOTES:

1. DIMENSIONS D1 AND E1 INCLUDE MOLD MISMATCH, BUT DO NOT INCLUDE MOLD PROTRUSION; ALLOWABLE PROTRUSION IS 0.25 MM PER SIDE.
2. DETAILS OF PIN 1 IDENTIFIED ARE OPTIONAL BUT MUST BE LOCATED WITHIN THE ZONE INDICATED.
3. ALLOWABLE DAMBAR PROTRUSION IS 0.08 MM TOTAL IN EXCESS OF THE B DIMENSION; PROTRUSION NOT TO BE LOCATED ON LOWER RADIUS OR FOOT OF LEAD.



DETAIL A

DIMENSIONS ARE IN MILLIMETERS

DIM	MIN	MAX
A	-	2.45
A1	0.10	0.30
A2	1.95	2.10
D	13.65	14.30
D1	9.90	10.10
E	13.65	14.30
E1	9.90	10.10
L	0.63	1.03
e	0.80 BSC	
B	0.30	0.45
C	0.13	0.23

SIGNATURE	DATE
DOC. CONTROL: K. Deeley	1/93
ENGR. MGR: J. Hundt	1/93
MFG. ENGR: B McCarty	1/13/93
CHECKED BY: B.W.M.	1/93
DRAWN BY: M.W.C.	1/93

**DALLAS SEMICONDUCTOR** **MAXIM**

TITLE: MARKETING OUTLINE, 44 LD. QFP, 10X10X2 BODY, 1.95 MM FORM

SIZE: A	FSCM NO:	PART NO.: 56-G3001-001	REV: B
---------	----------	------------------------	--------