



DOCUMENT TITLE:
**MARKETING OUTLINE DRAWING, 23MM X 23MM 484 BALLS BGA, 4 LAYER,
1.00MM PITCH**

DOC ID # 21-0365 NEW REV: A

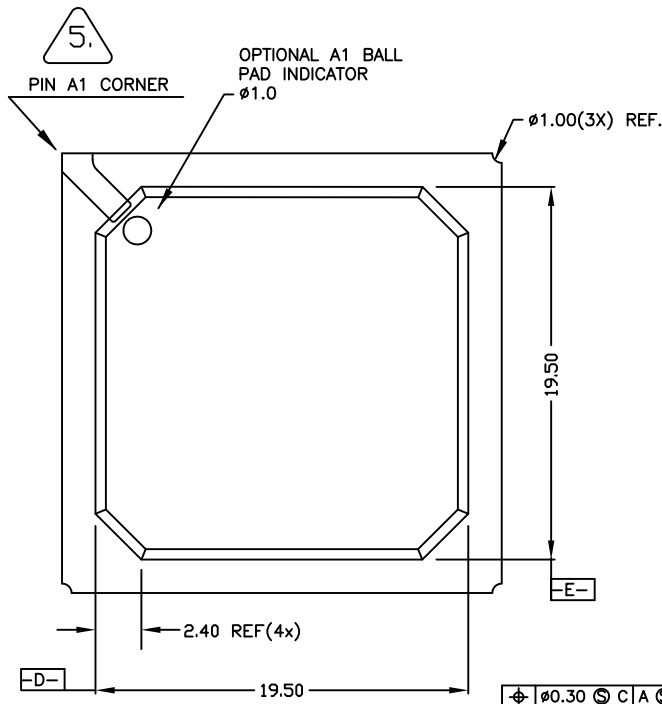
ECN#: HQ-08-5761 EFFECTIVE DATE: 07/01/08

ORIGINATOR: JEFF WALKER

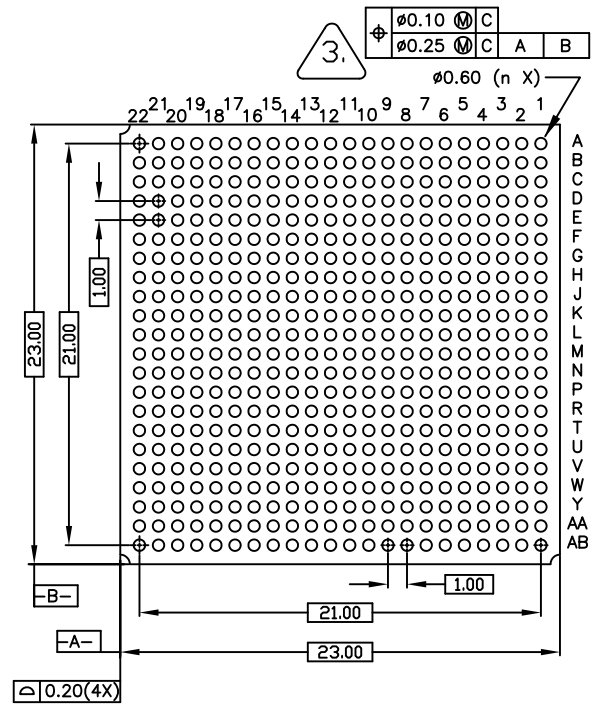
MOST RECENT CHANGES

FROM	TO
DALLAS DOCUMENT CONTROL SYSTEM DOC ID# 56-G6038-001 LOGO-DALLAS/MAXIM	INITIAL RELEASE INTO MAXIM DOCUMENT CONTROL LOGO-MAXIM

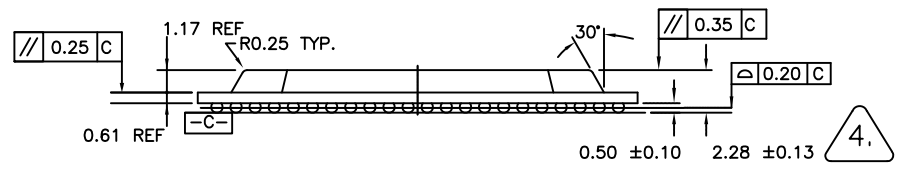
REVISIONS			
LTR.	DESCRIPTION	DATE	APPROVED
A			



TOP VIEW




BOTTOM VIEW
(BALL SIDE)



SIDE VIEW

NOTES:

- DIMENSION IS MM.
- THE BASIC SOLDER BALL GRID PITCH IS 1.00 MM.
- DIMENSION IS MEASURED AT THE MAXIMUM SOLDER BALL DIAMETER, PARALLEL TO PRIMARY DATUM C.
- PRIMARY DATUM C AND SEATING PLANE ARE DEFINED BY THE SPHERICAL CROWNS OF THE SOLDER BALLS.
- A1 BALL PAD CORNER I.D.

SIGNATURE		DATE						
DDC. CONTROL:						TITLE		
ENGR. MGR:						MARKETING OUTLINE DRAWING		
MFG. ENGR:						23MM X 23MM, 484 BALLS, BGA, 4 LAYER 1.00 MM PITCH		
CHECKED BY:	S. CHINNUSAMY	09/05	SIZE	FSCM NO.	PART NO.	REV.		
DRAWN BY:	JFD	09/05	A		21-0365	A		
			SCALE	N/A	SHEET	1 of 1		

REVISION HISTORY

REV	CHANGES MADE	DATE	INIT.
A	ECN# HQ-08-5761. INITIAL RELEASE INTO MAXIM DOCUMENT CONTROL. LOGO-MAXIM	07/01/08	JW



TITLE: MARKETING OUTLINE DRAWING, 23MM X 23MM 484 BALLS
BGA, 4 LAYER, 1.00MM PITCH

DOCUMENT I.D.
21-0365

REVISION
A

PAGE
3