



DOCUMENT TITLE:
MARKETING OUTLINE, 16L CHIP SCALE BGA (4X4) 1.0MM PITCH, 1.40MM THICK, 2 LAYER

DOC ID # 21-0355 NEW REV: A

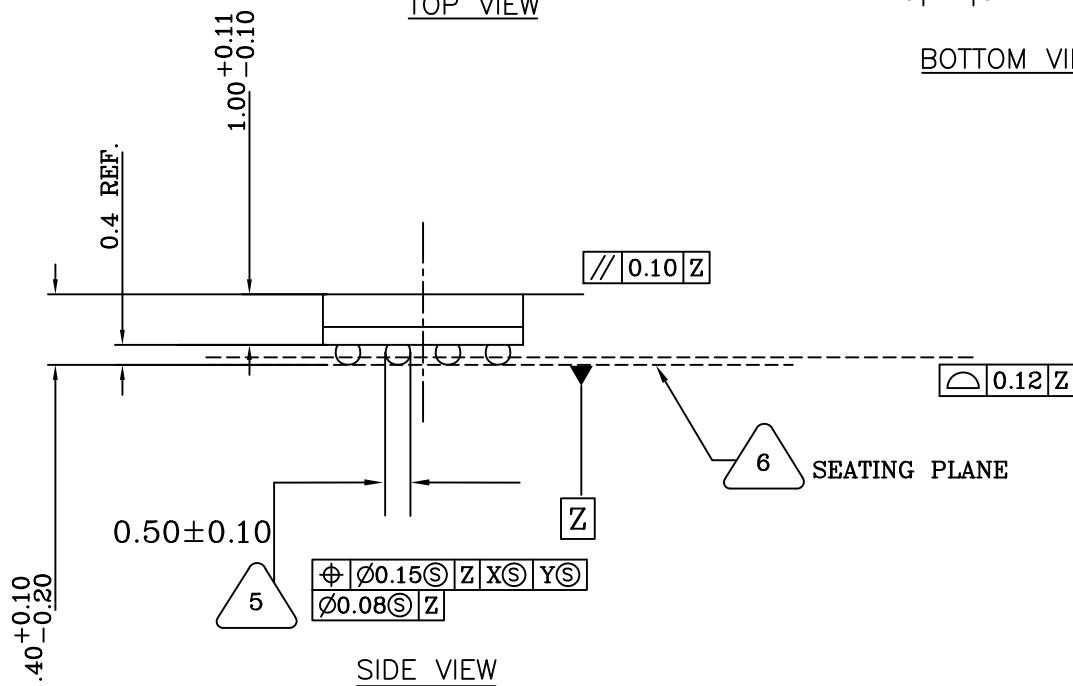
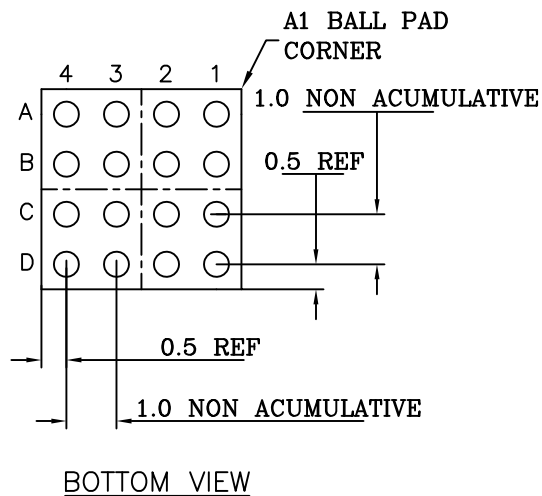
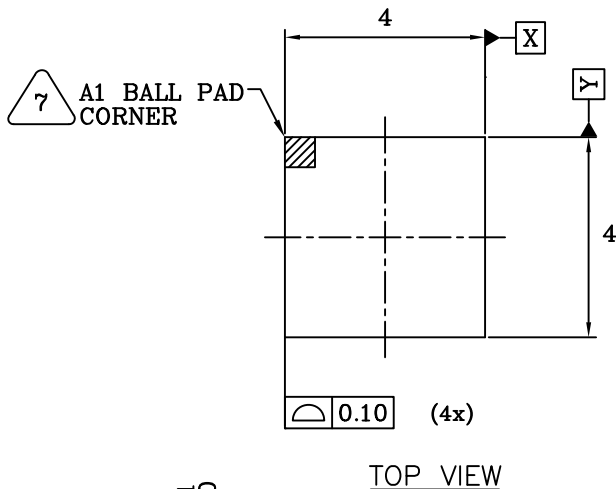
ECN#: HQ-08-5701 EFFECTIVE DATE: 07/15/08

ORIGINATOR: JEFF WALKER

MOST RECENT CHANGES

FROM	TO
DALLAS DOCUMENT CONTROL SYSTEM DOC 56-G6005-001 LOGO-DALLAS/MAXIM	INITIAL RELEASE INTO MAXIM DOCUMENT CONTROL LOGO-MAXIM

REVISIONS			
LTR.	DESCRIPTION	DATE	APPROVED
A			



NOTES:

- ⑦ A1 BALL PAD CORNER I.D. IS IDENTIFIED BY LASER MARKED DOT AT THE CORNER.
- ⑥ PRIMARY DATUM Z AND SEATING PLANE ARE DEFINED BY THE SPHERICAL CROWNS OF THE SOLDER BALLS.
- ⑤ DIMENSION IS MEASURED AT THE MAXIMUM SOLDER BALL DIAMETER, PARALLEL TO PRIMARY DATUM Z.
- 4. BILATERAL TOLERANCE ZONE IS APPLIED TO EACH SIDE OF THE PACKAGE BODY.
- 3. SOLDER BALL POSITION DESIGNATION PER JESD 95-1, SPP-010.
- 2. ALL DIMENSIONS AND TOLERANCES CONFORM TO ANSI Y14.5M-1994.
- 1. ALL DIMENSIONS ARE IN MILLIMETERS

SIGNATURE		DATE		MAXIM			
DOC. CONTROL:				TITLE			
ENGR. MGR:				MARKETING OUTLINE - 16L CHIP SCALE BGA (4X4)			
MFG. ENGR:				1.0MM PITCH, 1.40MM THICK, 2 LAYER			
CHECKED BY:	TWM	11/03	SIZE	FSCH NO.	PART NO.	REV.	
DRAWN BY:	JFD	11/03	A		21-0355	A	
DO NOT SCALE DRAWING			SCALE	N/A	SHEET	1 of 1	

REVISION HISTORY

REV	CHANGES MADE	DATE	INIT.
A	ECN# HQ-08-5701 INITIAL RELEASE INTO MAXIM DOCUMENT CONTROL. LOGO-MAXIM	07/15/08	JW



TITLE: MARKETING OUTLINE, 16L CHIP SCALE BGA (4X4) 1.0MM PITCH, 1.40MM THICK, 2 LAYER

DOCUMENT I.D.
21-0355

REVISION
A

PAGE
3