



**DOCUMENT TITLE:**  
**MARKETING OUTLINE DRAWING 27MM X 27MM, 349 AND 400 BALLS, 1.27  
PITCH, 4 LAYER, HS-CSBGA**

**DOC ID # 21-0316                      NEW REV:    A**

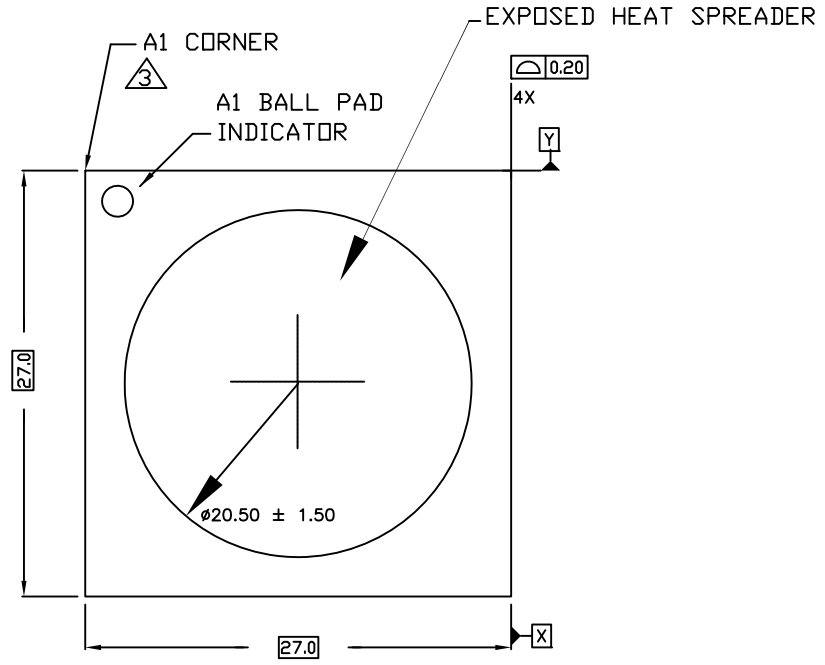
**ECN#: HQ-08-5581                      EFFECTIVE DATE: 07/16/08**

**ORIGINATOR: JEFF WALKER**

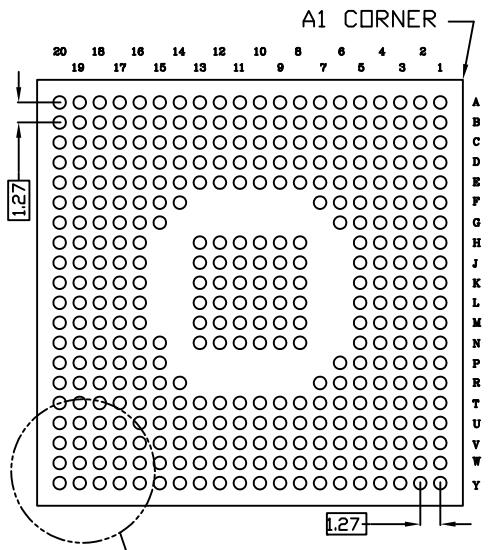
**MOST RECENT CHANGES**

<b>FROM</b>	<b>TO</b>
DALLAS DOCUMENT CONTROL SYSTEM DOC 56-G6019-001 LOGO-DALLAS/MAXIM	INITIAL RELEASE INTO MAXIM DOCUMENT CONTROL LOGO-MAXIM

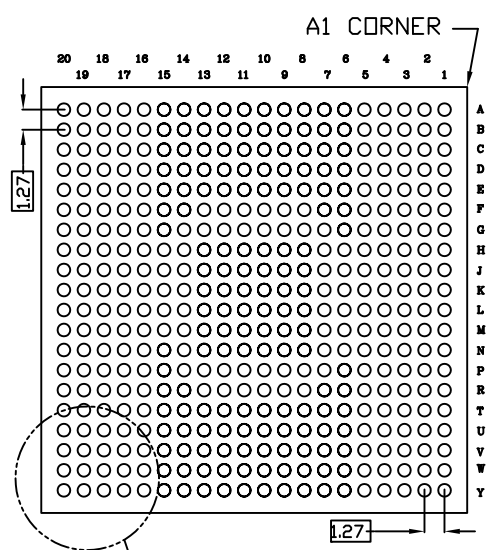
REVISIONS			
LTR.	DESCRIPTION	DATE	APPROVED
A			




TOP VIEW

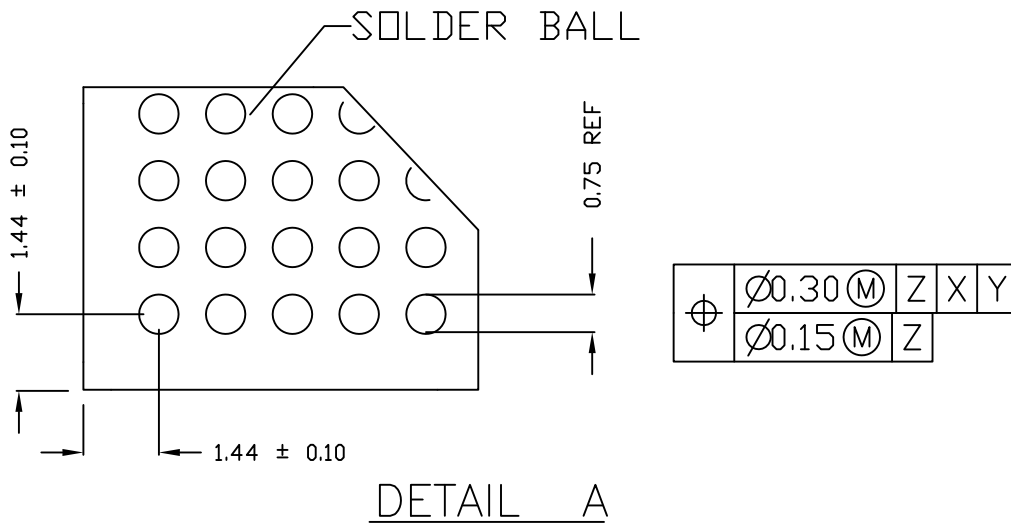
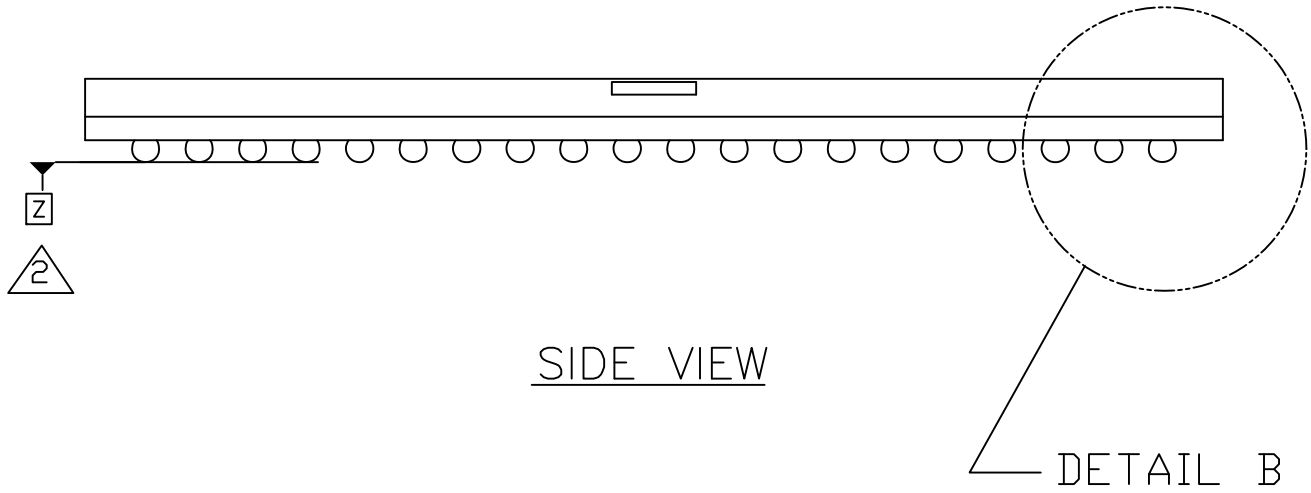


BOTTOM VIEW  
(BALL SIDE)  
(349 BALLS)

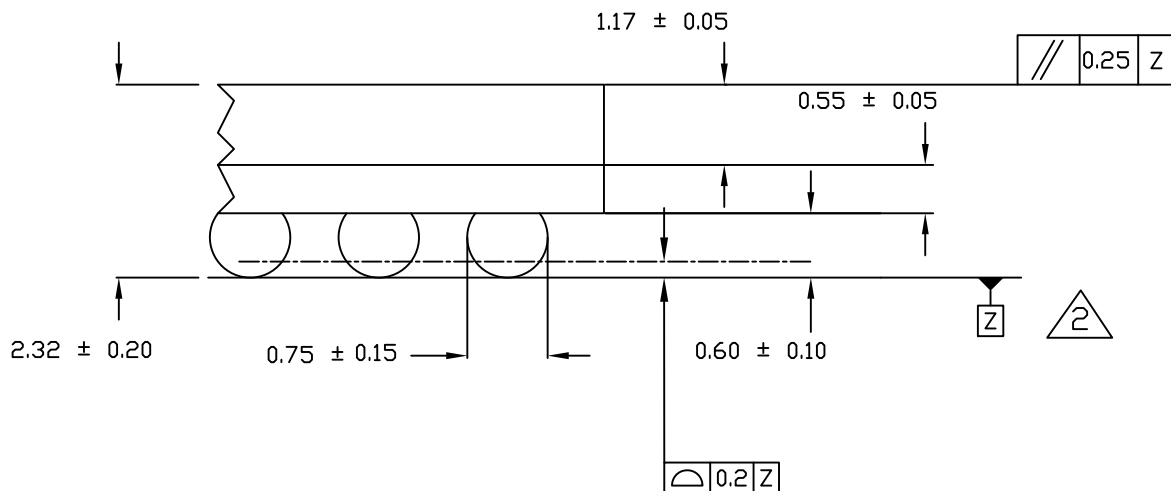


BOTTOM VIEW  
(BALL SIDE)  
(400 BALLS)

SIGNATURE		DATE		 <b>MARKETING OUTLINE DRAWING</b> <b>27MM X 27MM, 349 AND 400 BALLS</b> <b>1.27MM PITCH, 4-LAYER, HS-CSBGA</b>						
DDC. CONTROL:								TITLE		
ENGR. MGR:								SIZE	FSCM NO.	PART NO.
MFG. ENGR:								A		21-0316
CHECKED BY:		TWM 10/03		SCALE		REV.				
DRAWN BY:		JFD 10/03		N/A		A				
				SHEET		1 of 3				



SIGNATURE	DATE	<b>MAXIM</b>			
DDC. CONTROL:		TITLE MARKETING OUTLINE DRAWING 27MM X 27MM, 349 AND 400 BALLS 1.27MM PITCH, 4-LAYER, HS-CSBGA			
ENGR. MGR:		SIZE A	FSCM NO.	PART NO. 21-0316	REV. A
CHECKED BY: TWM	10/03				
DRAWN BY: JFD	10/03				
		SCALE N/A	SHEET 2 of 3		



### DETAIL B

#### NOTES:

1. DIMENSION IS MM.

$\triangle 2$  DATUM Z AND SEATING PLANE ARE DEFINED BY THE SPHERICAL CROWNS OF THE SOLDER BALLS.


$\triangle 3$  A1 CORNER ON THE BALL SIDE MUST BE IDENTIFIED BY METALLIZED MARKING.

4. THE 27MM X 27MM SUBSTRATE IS COMPRISED OF FOUR METAL LAYERS.

SIGNATURE		DATE		<b>MAXIM</b>			
DDC. CONTROL:							
ENGR. MGR:				TITLE MARKETING OUTLINE DRAWING 27MM X 27MM, 349 AND 400 BALLS 1.27MM PITCH, 4-LAYER, HS-CSBGA			
MFG. ENGR:							
CHECKED BY:	TWM	10/03	SIZE	FSCM NO.	PART NO.	21-0316	REV.
DRAWN BY:	JFD	10/03	A				A
SCALE				N/A		SHEET 3 of 3	

**REVISION HISTORY**

REV	CHANGES MADE	DATE	INIT.
A	ECN# HQ-08-5581 . INITIAL RELEASE INTO MAXIM DOCUMENT CONTROL. LOGO-MAXIM	07/16/08	JW

	<b>TITLE:</b> MARKETING OUTLINE DRAWING 27MM X 27MM, 349 AND 400 BALLS, 1.27 PITCH, 4 LAYER, HS-CSBGA		
	<b>DOCUMENT I.D.</b> 21-0316	<b>REVISION</b> A	<b>PAGE 5</b>