



**DOCUMENT TITLE:
MARKETING OUTLINE, 44 LD, TQFP 10 X 10X 1.MM**

DOC ID # 21-0293 NEW REV: A

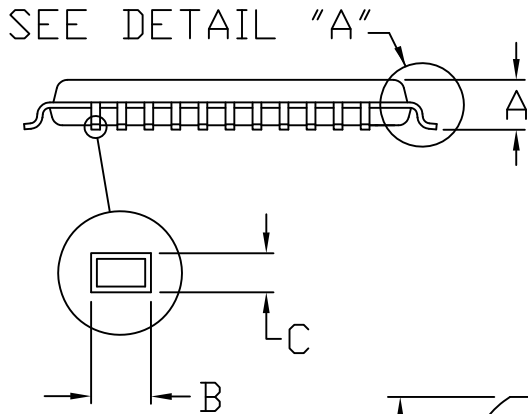
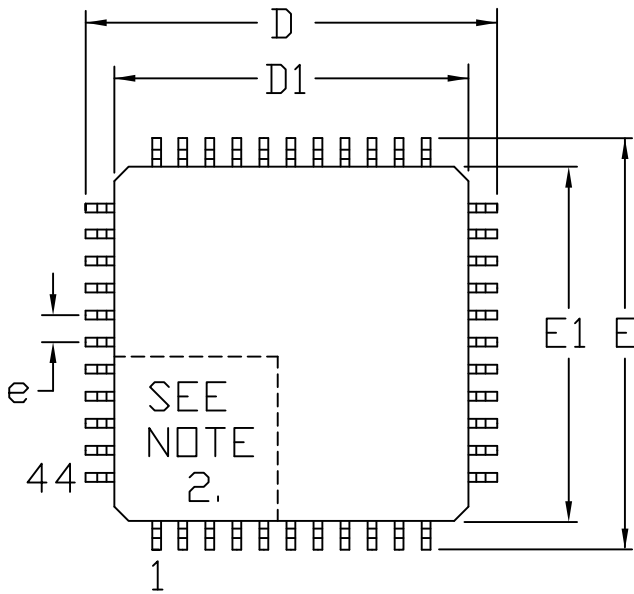
ECN#: HQ-08-5301 EFFECTIVE DATE: 06/20/08

ORIGINATOR: JEFF WALKER

MOST RECENT CHANGES

FROM	TO
DALLAS DOCUMENT CONTROL SYSTEM DOC 56-G4012-001, REV B. LOGO-DALLAS/MAXIM	INITIAL RELEASE INTO MAXIM DOCUMENT CONTROL LOGO-MAXIM

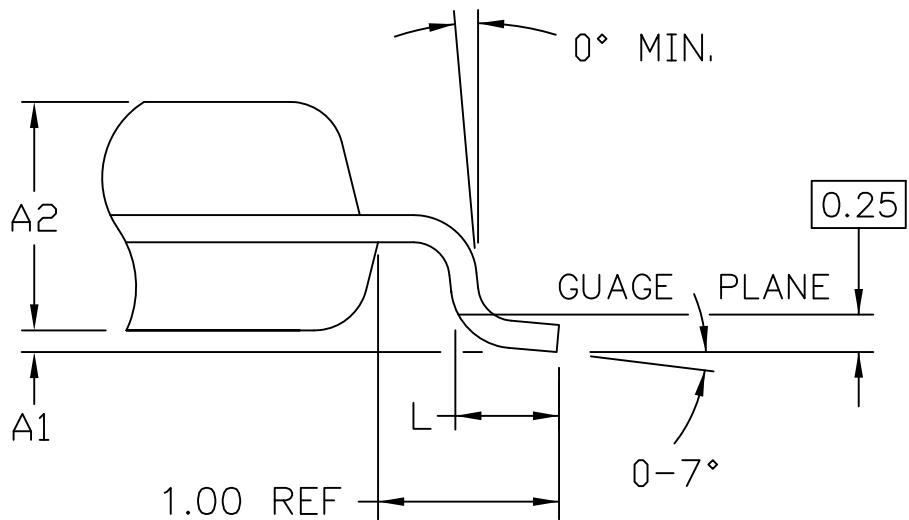
REVISIONS			
LTR	DESCRIPTION	DATE	APPROVED
A			



NOTES:

1. DIMENSIONS D1 AND E1 INCLUDE MOLD MISMATCH, BUT DO NOT INCLUDE MOLD PROTRUSION; ALLOWABLE PROTRUSION IS 0.25 MM PER SIDE.
2. DETAILS OF PIN 1 IDENTIFIER ARE OPTIONAL BUT MUST BE LOCATED WITHIN THE ZONE INDICATED.
3. ALLOWABLE DAMBAR PROTRUSION IS 0.08 MM TOTAL IN EXCESS OF THE B DIMENSION; AT MAXIMUM MATERIAL CONDITION. PROTRUSION NOT TO BE LOCATED ON LOWER RADIUS OR FOOT OF LEAD.
4. CONTROLLING DIMENSIONS: MILLIMETERS.

DIM	MIN	MAX
A	-	1.20
A1	0.05	0.15
A2	0.95	1.05
D	11.80	12.20
D1	10.00	BSC
E	11.80	12.20
E1	10.00	BSC
L	0.45	0.75
e	0.80	BSC
B	0.30	0.45
C	0.09	0.20



DETAIL A

DIMENSIONS ARE IN MILLIMETERS

SIGNATURE	DATE
DOC. CONTROL: K. DEELEY	2/13/95
ENGR. MGR: B.MCCARTY	2/95
MFG. ENGR: C.SELLS	2/8/95
CHECKED BY: C.SELLS	10/94
DRAWN BY: M.W.C.	10/94



TITLE		MARKETING OUTLINE, 44 LD. TQFP 10 X 10 X 1.00 MM BODY	
SIZE	FSCM NO	PART NO.	REV
A		21-0293	A

REVISION HISTORY

REV	CHANGES MADE	DATE	INIT.
A	ECN# HQ-08-XXXX. INITIAL RELEASE INTO MAXIM DOCUMENT CONTROL. LOGO-MAXIM	06/20/08	JW



TITLE: MARKETING OUTLINE, 44 LD, TQFP 10 X 10X 1.MM

DOCUMENT I.D.
21-0293

REVISION
A

PAGE
3