



**DOCUMENT TITLE:
MARKETING OUTLINE, 80 LEAD MQFP 14X20 BODY, 1.95 FORM**

DOC ID # 21-0271

NEW REV: A

ECN#: HQ-08-5261

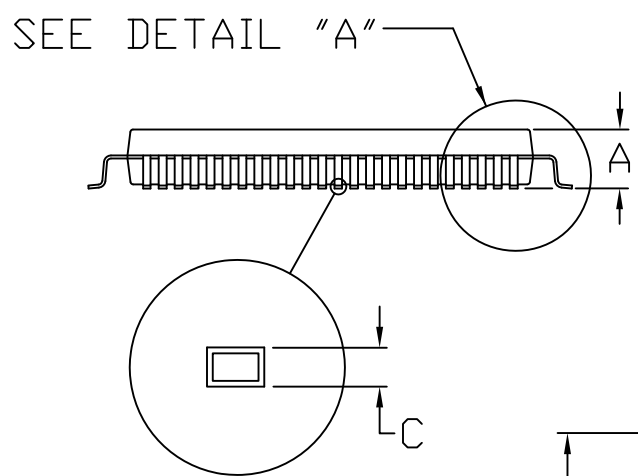
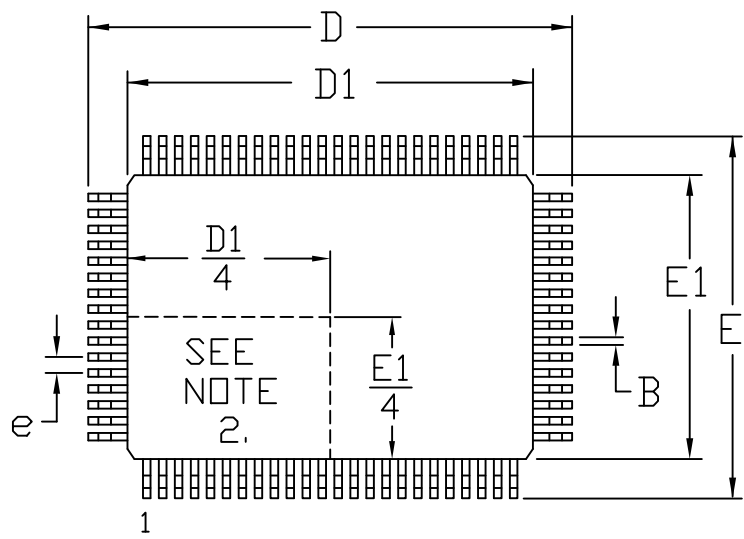
EFFECTIVE DATE: 07/17/08

ORIGINATOR: JEFF WALKER

MOST RECENT CHANGES

FROM	TO
DALLAS DOCUMENT CONTROL SYSTEM DOC 56-G4005-001 LOGO-DALLAS/MAXIM	INITIAL RELEASE INTO MAXIM DOCUMENT CONTROL LOGO-MAXIM

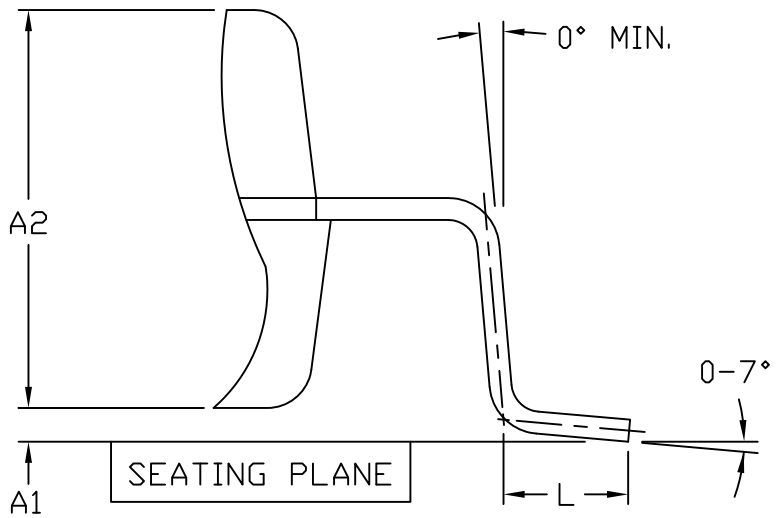
REVISIONS			
LTR	DESCRIPTION	DATE	APPROVED
A			



NOTES:

1. DIMENSIONS D1 AND E1 INCLUDE MOLD MISMATCH, BUT DO NOT INCLUDE MOLD PROTRUSION; ALLOWABLE PROTRUSION IS 0.25 MM PER SIDE.
2. DETAILS OF PIN 1 IDENTIFIER ARE OPTIONAL BUT MUST BE LOCATED WITHIN THE ZONE INDICATED.
3. ALLOWABLE DAMBAR PROTRUSION IS 0.08 MM TOTAL IN EXCESS OF THE B DIMENSION; PROTRUSION NOT TO BE LOCATED ON LOWER RADIUS OR FOOT OF LEAD.

DIM	MIN	MAX
A	-	3.40
A1	0.10	0.50
A2	2.55	2.87
B	0.30	0.45
C	0.13	0.23
D	23.70	24.10
D1	19.90	20.10
E	17.70	18.10
E1	13.90	14.10
e	0.80 BSC	
L	0.65	0.95



DETAIL A
DIMENSIONS ARE IN MILLIMETERS

SIGNATURE	DATE
DOC. CONTROL:	
ENGR. MGR:	
MFG. ENGR:	
CHECKED BY:	
DRAWN BY: M.W.C.	3/94

MAXIM			
TITLE MARKETING OUTLINE, 80 LD. MQFP, 14X20 BODY, 1.95 FORM			
SIZE A	FSCM NO	PART NO. 21-0271	REV A

REVISION HISTORY

REV	CHANGES MADE	DATE	INIT.
A	ECN# HQ-08-5261. INITIAL RELEASE INTO MAXIM DOCUMENT CONTROL. LOGO-MAXIM	07/17/08	JW



TITLE: MARKETING OUTLINE, 80 LEAD MQFP 14X20 BODY, 1.95 FORM

DOCUMENT I.D.
21-0271

REVISION
A

PAGE
3