



DOCUMENT TITLE:
Marketing Outline, SOT-223 (TO-261)

DOC ID # 21-0264 NEW REV: A

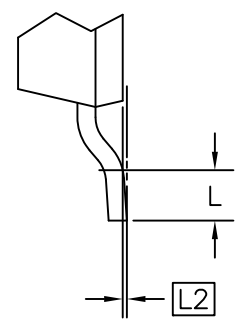
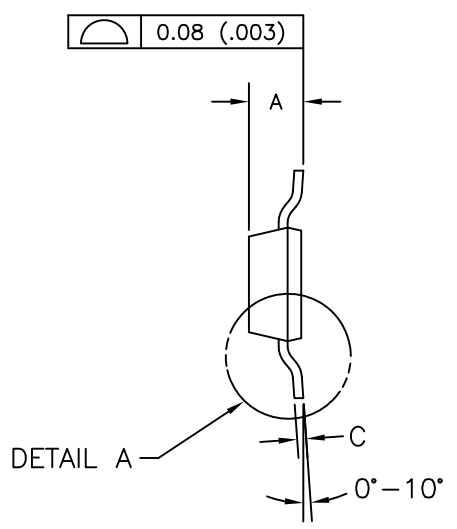
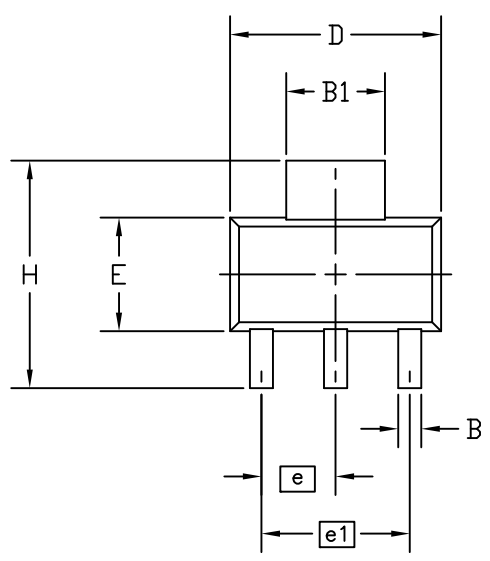
ECN#: HQ-08-5201 EFFECTIVE DATE: 06/24/08

ORIGINATOR: JEFF WALKER

MOST RECENT CHANGES

| FROM | TO |
|---|---|
| DALLAS DOCUMENT CONTROL SYSTEM DOC 56-G0005-001, REV A. LOGO-DALLAS/MAXIM | INITIAL RELEASE INTO MAXIM DOCUMENT CONTROL LOGO-MAXIM |

| REVISIONS | | | |
|-----------|-------------|------|----------|
| LTR | DESCRIPTION | DATE | APPROVED |
| A | | | |



| DIM | MIN | NOM | MAX |
|--------------|-----------------------|--------------|--------------|
| A IN. MM | - - | - - | .071 1.80 |
| B IN. MM | .024 0.60 | .029 0.74 | .035 0.88 |
| B1 IN. MM | .114 2.90 | .120 3.04 | .125 3.18 |
| C IN. MM | .009 0.24 | .012 0.30 | .016 0.40 |
| D IN. MM | .248 6.30 | .256 6.50 | .264 6.70 |
| E IN. MM | .130 3.30 | .138 3.50 | .146 3.70 |
| e IN. MM | .091 BSC 2.30 BSC | | |
| e1 IN. MM | .181 BSC 4.60 BSC | | |
| H IN. MM | .264 6.70 | .276 7.00 | .287 7.30 |
| L IN. MM | .036 0.91 | - - | - - |
| L2 IN. MM | .0024 BSC 0.06 BSC | | |

| | |
|-----------------------|---------|
| SIGNATURE | DATE |
| DOC. CONTROL: | |
| ENGR. MGR: | |
| MFG. ENGR: | |
| CHECKED BY: | |
| DRAWN BY: R. ERBACHER | 1-30-96 |



| | | | | | |
|-------|---------|-------------------|-----|------------------|--|
| TITLE | | MARKETING OUTLINE | | SOT-223 (TO-261) | |
| SIZE | FSCM NO | PART NO. | REV | | |
| A | | 21-0264 | A | | |

REVISION HISTORY

| REV | CHANGES MADE | DATE | INIT. |
|-----|---|----------|-------|
| A | ECN# HQ-08-5201 INITIAL RELEASE INTO MAXIM DOCUMENT CONTROL. LOGO-MAXIM | 06/24/08 | JW |



TITLE: Marketing Outline, SOT-223 (TO-261)

DOCUMENT I.D.
21-0264

REVISION
A

PAGE
3