



DOCUMENT TITLE:

**Marketing Module Outline Drawing 17mm X 17mm, w/4 CSBGA (7mm X 7mm),
144 Balls, 1.27MM Pitch**

DOC ID # 21-0258

NEW REV: A

ECN#: HQ-08-5181

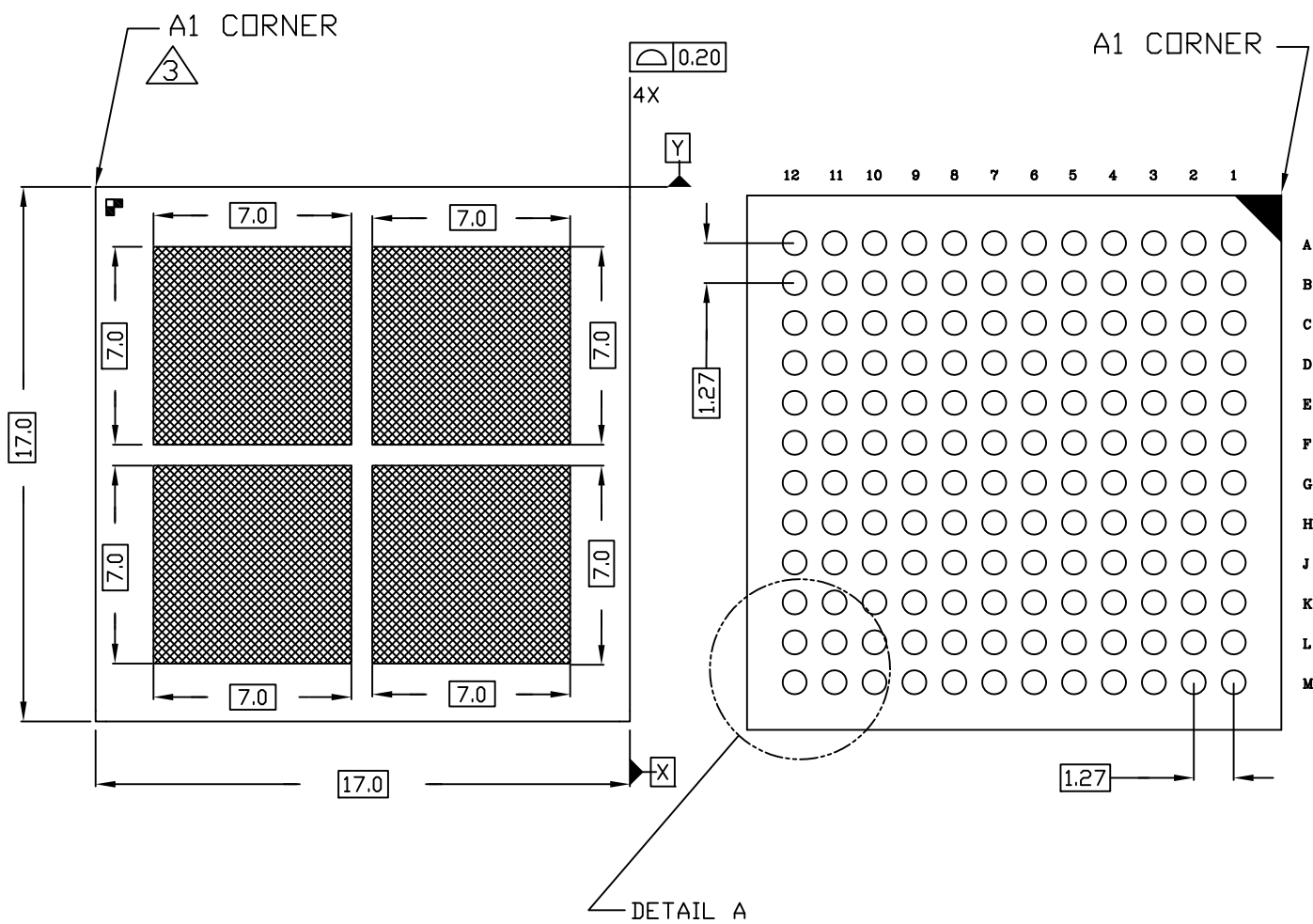
EFFECTIVE DATE: 07/16/08

ORIGINATOR: JEFF WALKER

MOST RECENT CHANGES

FROM	TO
DALLAS DOCUMENT CONTROL SYSTEM DOC 56-G6011-002, REV A. LOGO-DALLAS/MAXIM	INITIAL RELEASE INTO MAXIM DOCUMENT CONTROL LOGO-MAXIM

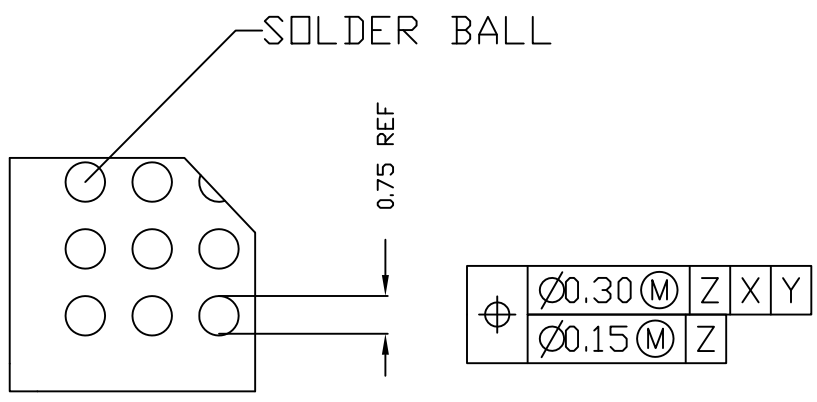
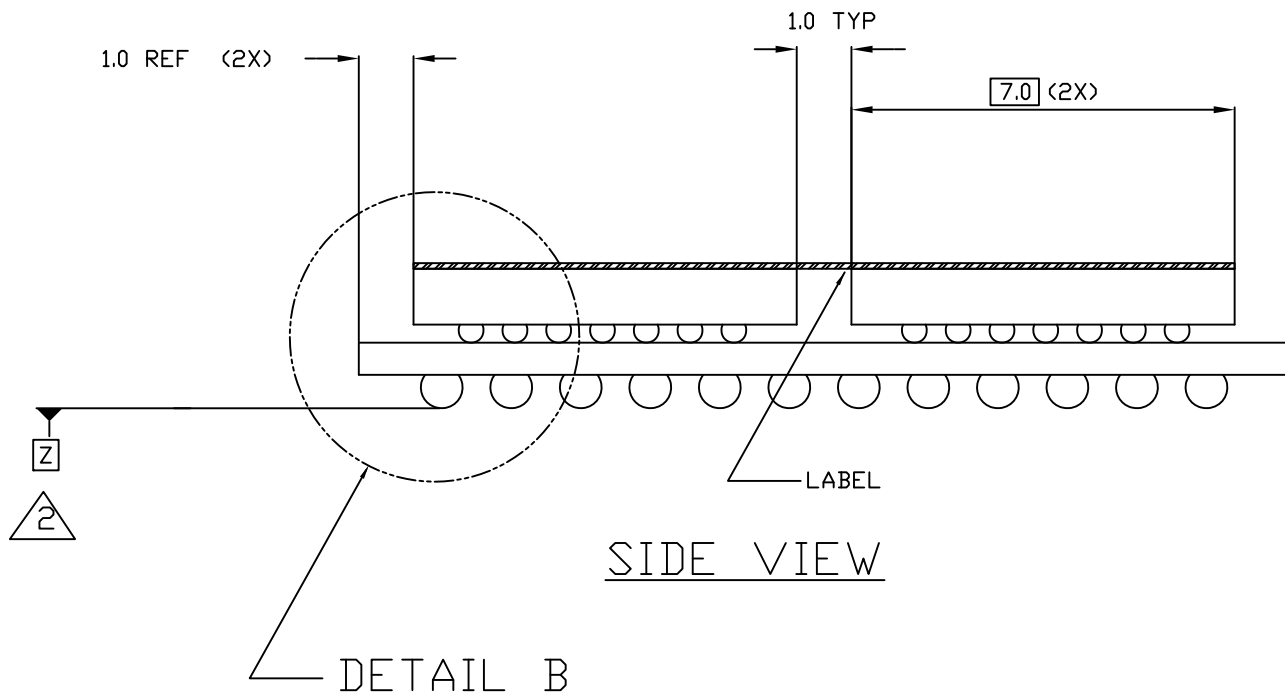
REVISIONS			
LTR.	DESCRIPTION	DATE	APPROVED
A			



TOP VIEW
(WITHOUT LABEL)

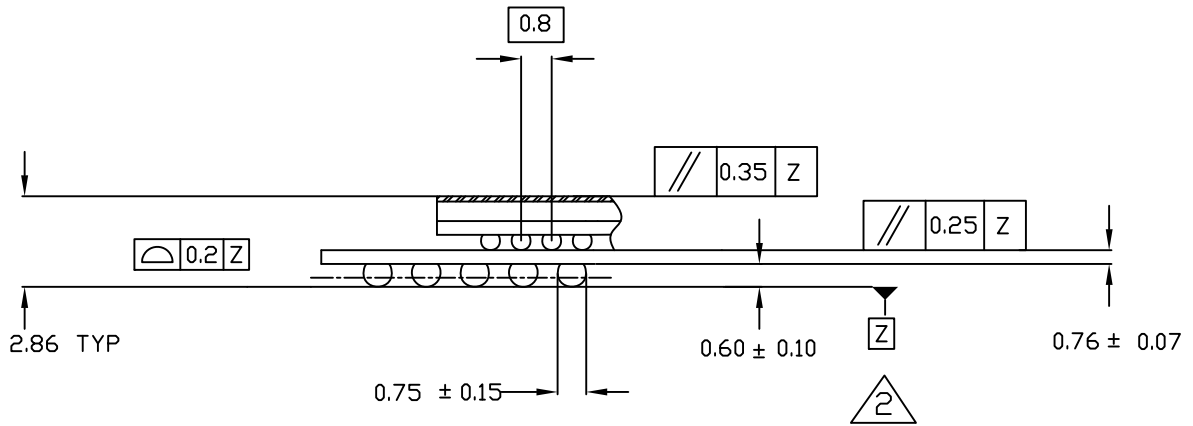
BOTTOM VIEW
(BALL SIDE)

SIGNATURE		DATE		MAXIM			
DDC. CONTROL:							
ENGR. MGR:				SIZE	FSCM NO.	PART NO.	REV.
MFG. ENGR:				A		21-0258	A
CHECKED BY:	TWM	06/03					
DRAWN BY:	JFD	06/03					
SCALE				N/A		SHEET 1 of 3	



DETAIL A

SIGNATURE		DATE		MAXIM			
DDC. CONTROL:				TITLE MARKETING MODULE OUTLINE DRAWING 17MM X 17MM, WITH 4 CSBGA (7MM X 7MM) 144 BALLS, 1.27MM PITCH			
ENGR. MGR:							
MFG. ENGR:							
CHECKED BY:	TWM	06/03		SIZE	FSCM NO.	PART NO.	REV.
DRAWN BY:	JFD	06/03		A		21-0258	A
				SCALE	N/A	SHEET	2 of 3




DETAIL B

NOTES:

1. DIMENSION IS MM.

 DATUM Z AND SEATING PLANE ARE DEFINED BY THE SPHERICAL CROWNS OF THE SOLDER BALLS.

 A1 CORNER OF THE MCP SUBSTRATE MUST BE IDENTIFIED BY METALLIZED MARKINGS.

4. THE 17MM X 17MM SUBSTRATE IS COMPRISED OF SIX METAL LAYERS.

SIGNATURE	DATE	MAXIM		
DDC. CONTROL:		TITLE MARKETING MODULE OUTLINE DRAWING 17MM X 17MM, WITH 4 CSBGA (7MM X 7MM) 144 BALLS, 1.27MM PITCH		
ENGR. MGR:		SIZE A	FSCM NO.	PART NO. 21-0258
MFG. ENGR:				REV. A
CHECKED BY: TWM	06/03			
DRAWN BY: JFD	06/03			
		SCALE N/A	SHEET 3 of 3	

REVISION HISTORY

REV	CHANGES MADE	DATE	INIT.
A	ECN# HQ-08-5181. INITIAL RELEASE INTO MAXIM DOCUMENT CONTROL. LOGO-MAXIM	07/16/08	JW



TITLE: Marketing Module Outline Drawing 17mm X 17mm, w/4 CSBGA (7mm X 7mm), 144 Balls, 1.27MM Pitch

DOCUMENT I.D.
21-0258

REVISION
A

PAGE 5