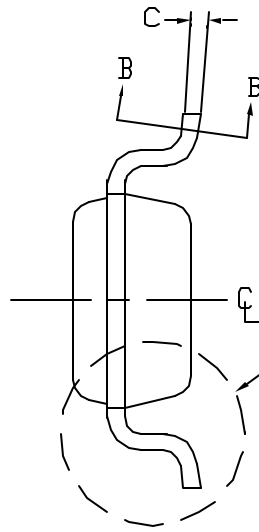
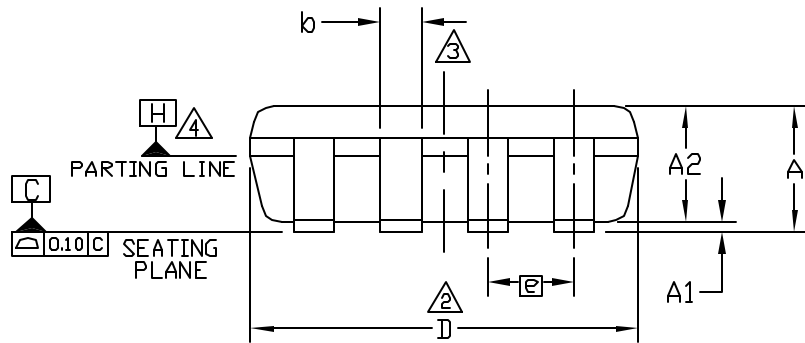
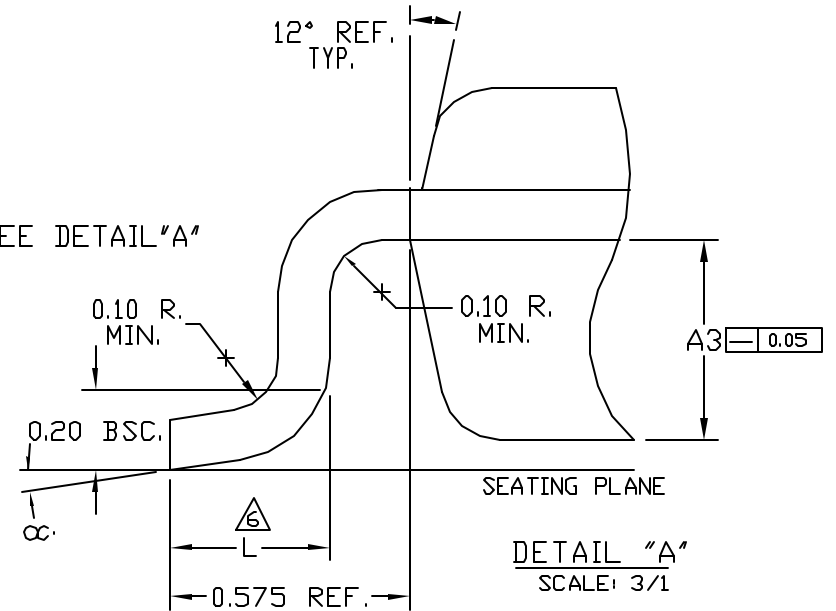


TOP VIEW

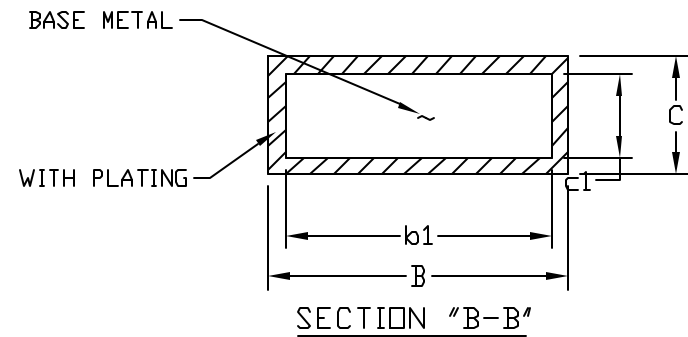


END VIEW

SEE DETAIL "A"



SIDE VIEW



MAXIM

TITLE:
PACKAGE OUTLINE, 8L THIN SOT
(LOW PROFILE)

APPROVAL	DOCUMENT CONTROL NO. 21-0154	REV. B	1/2
----------	---------------------------------	-----------	-----

-DRAWING NOT TO SCALE-

NOTES:

1. ALL DIMENSIONS ARE IN MILLIMETERS.

2. "D" AND "E1" ARE REFERENCE DATUM AND DO NOT INCLUDE MOLD FLASH OR PROTRUSIONS, AND ARE MEASURED AT THE BOTTOM PARTING LINE. MOLD FLASH OR PROTRUSION SHALL NOT EXCEED 0.15mm ON "D" AND 0.25mm ON "E" PER SIDE.

3. THE LEAD WIDTH DIMENSION DOES NOT INCLUDE DAMBAR PROTRUSION. ALLOWABLE DAMBAR PROTRUSION SHALL BE 0.07mm TOTAL IN EXCESS OF THE LEAD WIDTH DIMENSION AT MAXIMUM MATERIAL CONDITION.

4. DATUM PLANE "H" LOCATED AT MOLD PARTING LINE AND COINCIDENT WITH LEAD, WHERE LEAD EXITS PLASTIC BODY AT THE BOTTOM OF PARTING LINE.

5. TERMINAL POSITIONS ARE SHOWN FOR REFERENCE ONLY.

6. DIMENSION IS THE LENGTH OF TERMINAL FOR SOLDERING TO A SUBSTRATE.

7. LEADS TO BE COPLANAR AT 0.1mm MAXIMUM.

8. THIS PART IS COMPLIANT WITH JEDEC SPECIFICATION MO-193, VARIATION "BA".

9. MARKING IS FOR PACKAGE ORIENTATION REFERENCE ONLY.

10. ALL DIMENSIONS APPLY TO BOTH LEADED (-) AND LEAD FREE (+) PACKAGE CODES.

SYMBOLS	ALL DIMENSIONS ARE IN MILLIMETERS		
	MIN	NOM	MAX
A	-	-	1.10
A1	0	0.075	0.10
A2	0.85	0.88	0.90
A3	0.50 BSC		
b	0.22	-	0.38
b1	0.22	0.30	0.33
c	0.15	-	0.20
c1	0.12	0.127	0.15
D	2.80	2.90	3.00
E	2.75 BSC		
E1	1.55	1.60	1.65
L	0.30	0.40	0.50
e1	1.95 BSC		
e	0.65 BSC		
N	8		
CC	0°	4°	8°
Pkg. code: Z8-1			

-DRAWING NOT TO SCALE-



TITLE:
PACKAGE OUTLINE, 8L THIN SOT
(LOW PROFILE)

APPROVAL	DOCUMENT CONTROL NO. 21-0154	REV. B	2/2
----------	---------------------------------	-----------	-----