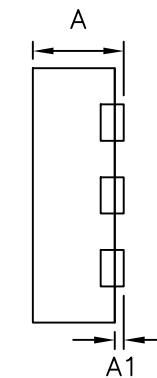
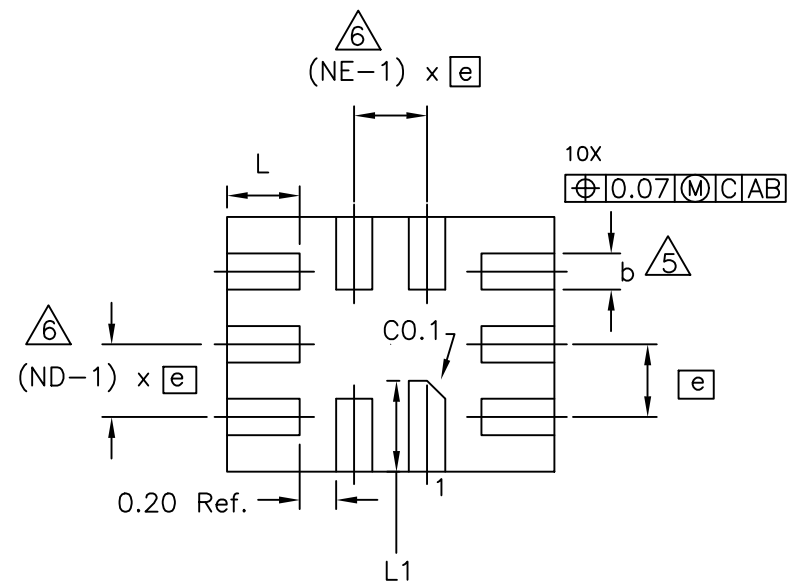


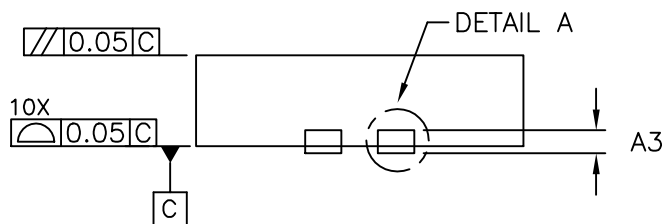
TOP VIEW



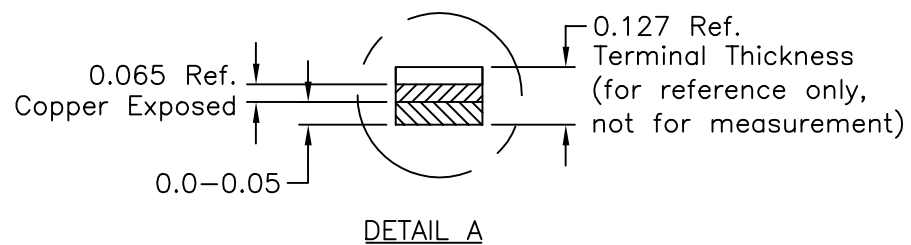
SIDE VIEW



BOTTOM VIEW



SIDE VIEW



-DRAWING NOT TO SCALE-

<b>MAXIM</b>			
TITLE: PACKAGE OUTLINE, 10L ULTRA TQFN, 1.4x1.8x0.55mm, CHIP ON LEAD w/NIPd			
APPROVAL	DOCUMENT CONTROL NO. 21-0028	REV. C	1/2

