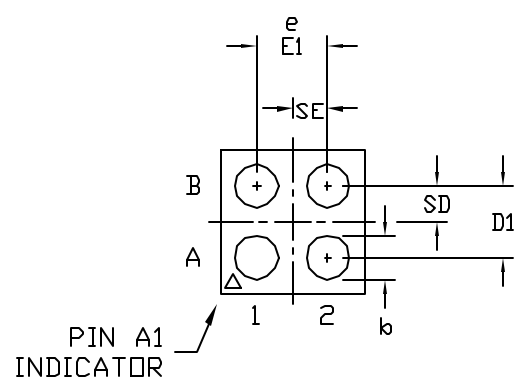


TOP VIEW

DIMENSIONS	
A	0.67+0.06/-0.08
A1	0.29±0.02
A2	0.33 REF.
A3	0.05 REF
b	∅0.35±0.03
D	0.97±0.05
D1	0.50 BASIC
E	0.97±0.05
E1	0.50 BASIC
e	0.50 BASIC
SD	0.25 BASIC
SE	0.25 BASIC

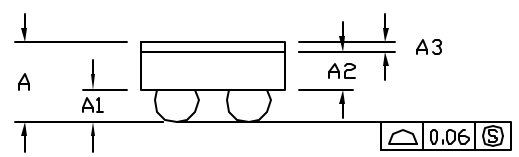
PKG. CODE	DEPOPULATED SOLDER BALLS
B4+4	NONE





BOTTOM VIEW

- NOTES:
1. ALL DIMENSIONS ARE IN MILLIMETERS.
 2. PRODUCT MARKING:
NUMBER OF CHARACTERS AND LINES VARY PER PRODUCT. MARKING SHOWN IS FOR PACKAGE ORIENTATION ONLY.
 3. A3 IS BACKSIDE COAT THICKNESS. PRODUCT WILL HAVE G45 COATING SPECIAL.
 4. MAX COPLANARITY - DIMENSION S.

SIDE VIEW



-DRAWING NOT TO SCALE-

 			
TITLE: PACKAGE OUTLINE, 2x2 UCSP (PbFREE), WC15			
APPROVAL	DOCUMENT CONTROL NO.	REV.	1/1
	21-0007	A	