

APPLICATION NOTE 2154

Microcontroller Clock—Crystal, Resonator, RC Oscillator, or Silicon Oscillator?

Crystals, ceramic resonators, RC (resistor, capacitor) oscillators, and silicon oscillators are four types of clock sources for use with a microcontroller (μC). The optimal clock source for an application depends on many factors including cost, accuracy, and environmental parameters. This application note discusses the determining factors for selecting a microcontroller clock. Oscillator types are compared.

Also see: [Microcontroller Clock Support Solutions](#)

Introduction

The majority of clock sources for microcontrollers can be grouped into two types: those based on mechanical resonant devices, such as crystals and ceramic resonators, and those based on electrical phase-shift circuits such as RC (resistor, capacitor) oscillators. Silicon oscillators are typically a fully integrated version of the RC oscillator with the added benefits of current sources, matched resistors and capacitors, and temperature-compensation circuits for increased stability. Two examples of clock sources are illustrated in **Figure 1**. Figure 1a shows a Pierce oscillator configuration suitable for use with mechanical resonant devices like crystals and ceramic resonators, while Figure 1b shows a simple RC feedback oscillator.

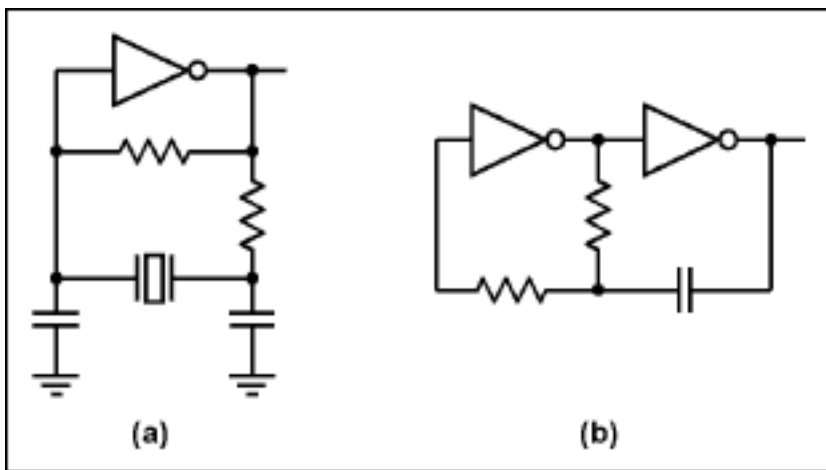


Figure 1. Examples of a simple clock source: (a) a Pierce oscillator configuration and (b) an RC feedback oscillator.

Primary Differences Between Mechanical Resonators and RC Oscillators

Crystal and ceramic resonator-based oscillators (mechanical) typically provide very high initial accuracy and a moderately low temperature coefficient. RC oscillators, in contrast, provide fast startup and low cost, but generally suffer from poor accuracy over temperature and supply voltage, and show variations from 5% to 50% of nominal output frequency. While the circuits illustrated in Figure 1 can produce clean reliable clock signals, their performance will be heavily influenced by environmental conditions, circuit component choice, and the layout of the oscillator circuit. Ceramic resonators and their associated load capacitance values must be

optimized for operation with particular logic families. Crystals, with their higher Q, are not as sensitive to amplifier selection but are susceptible to frequency shifts (and even damage) when overdriven. Environmental factors like electromagnetic interference (EMI), mechanical vibration and shock, humidity, and temperature affect oscillator operation. These environmental factors can cause output frequency changes, increased jitter, and in severe cases, can cause the oscillator to stop functioning.

Oscillator Modules

Many of the considerations described above can be avoided through use of oscillator modules. These modules contain all oscillator circuit components and provide a clock signal as a low-impedance square-wave output. Operation is guaranteed over a range of conditions. Crystal oscillator modules and fully integrated silicon oscillators are most common. Crystal oscillator modules provide accuracy similar to discrete component circuits using crystals. Silicon oscillators are more precise than discrete component RC oscillator circuits, and many provide comparable accuracy to ceramic resonator-based oscillators.

Power Consumption

Power consumption is another important consideration of oscillator selection. The power consumption of discrete component crystal-oscillator circuits is primarily determined by the feedback-amplifier supply current and by the in-circuit capacitance values used. The power consumption of amplifiers fabricated in CMOS is largely proportional to the operating frequency and can be expressed as a power-dissipation capacitance value. The power-dissipation capacitance value of an HC04 inverter gate used as an inverting amplifier, for example, is typically 90pF. For operation at 4MHz from a 5V supply, this equates to a supply current of 1.8mA. The discrete component crystal oscillator circuit will typically include an additional load capacitance value of 20pF, and the total supply current becomes 2.2mA.

Ceramic resonator circuits typically specify larger load capacitance values than crystal circuits, and draw still more current than the crystal circuit using the same amplifier.

By comparison, crystal oscillator modules typically draw between 10mA and 60mA of supply current because of the temperature compensation and control functions included.

The supply current for silicon oscillators depends on type and function, and can range from a few micro-amps for low-frequency (fixed) devices to tens of milli-amps for programmable-frequency parts. A low-power silicon oscillator, such as the [MAX7375](#), draws less than 2mA when operating at 4MHz.

Summary

The optimal clock source for a particular microcontroller application is determined by a combination of factors including accuracy, cost, power consumption, and environmental requirements. The following table summarizes the common oscillator circuit types discussed here, together with their strengths and weaknesses.

Table 1. Performance Comparison of Clock Source Types

Clock Source	Accuracy	Advantages	Disadvantages
Crystal	Medium to high	Low cost	Sensitive to EMI, vibration, and humidity. Complex circuit impedance matching.

Crystal Oscillator Module	Medium to high	Insensitive to EMI and humidity. No additional components or matching issues.	High cost; high power consumption; sensitive to vibration; large packaging.
Ceramic Resonator	Medium	Lower cost	Sensitive to EMI, vibration, and humidity.
Integrated Silicon Oscillator	Low to medium	Insensitive to EMI, vibration, and humidity. Fast startup, small size, and no additional components or matching issues.	Temperature sensitivity is generally worse than crystal and ceramic resonator types; high supply current with some types.
RC Oscillator	Very low	Lowest cost	Usually sensitive to EMI and humidity. Poor temperature and supply-voltage rejection performance.

Application Note 2154: <http://www.maxim-ic.com/an2154>

More Information

For technical questions and support: <http://www.maxim-ic.com/support>

For samples: <http://www.maxim-ic.com/samples>

Other questions and comments: <http://www.maxim-ic.com/contact>

Related Parts

DS1065: [QuickView](#) -- [Full \(PDF\) Data Sheet](#) -- [Free Samples](#)

DS1073: [QuickView](#) -- [Free Samples](#)

DS1075: [QuickView](#) -- [Full \(PDF\) Data Sheet](#) -- [Free Samples](#)

DS1077: [QuickView](#) -- [Full \(PDF\) Data Sheet](#)

DS1085: [QuickView](#) -- [Full \(PDF\) Data Sheet](#) -- [Free Samples](#)

DS1086: [QuickView](#) -- [Full \(PDF\) Data Sheet](#) -- [Free Samples](#)

MAX7375: [QuickView](#) -- [Full \(PDF\) Data Sheet](#) -- [Free Samples](#)

AN2154, AN 2154, APP2154, Appnote2154, Appnote 2154

Copyright © 2005 by Maxim Integrated Products

Additional legal notices: <http://www.maxim-ic.com/legal>