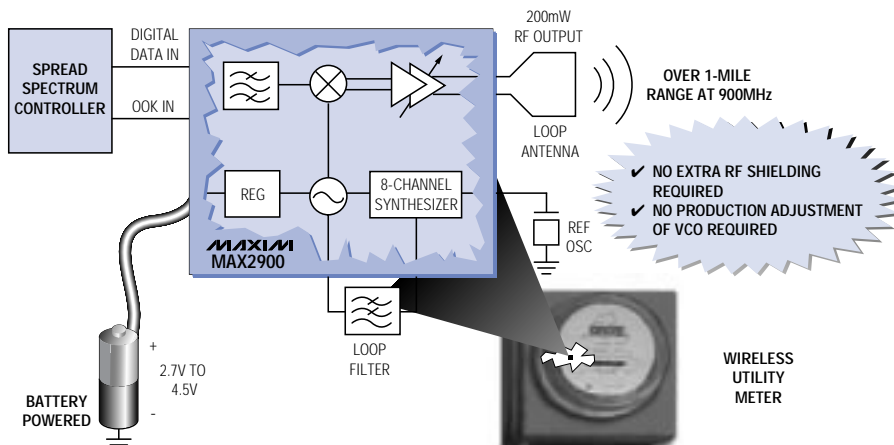


COMPLETE 900MHz ISM TRANSMITTER IN ONE 5mm x 5mm PACKAGE!

Combines BPSK Modulator, Modulation Filter, VCO & Tank, 8-Channel Synthesizer, and 200mW Power Amplifier



MAX2900 Transmitter Features:

- ◆ Support for OOK, ASK, and FM Modulation
- ◆ Modulation Filter for Direct Sequence BPSK Up to 5Mchips/s
- ◆ +23dBm Peak Output at 4.5V, +17dBm at 3V
- ◆ Extremely Low Frequency Pulling for OOK Modulation
- ◆ 2.7V to 4.5V Supply Range
- ◆ Small 28-Pin QFN Package (5mm x 5mm)

Applications:

- ◆ Wireless Meter Reading
- ◆ Wireless Security/Alarms
- ◆ Wireless Building Control
- ◆ Wireless Telemetry
- ◆ Wireless Data Networks

Complete 900MHz Transmitter Family Supports U.S. and European ISM Bands

PART	MARKET	FREQUENCY RANGE (MHz)	SYNTHESIZER OPTION
MAX2900EGI	U.S.	902 to 928	Internal 8 Selectable Channels
MAX2901EGI	U.S.	902 to 928	Internal Dual Channel
MAX2902EGI	U.S.	902 to 928	Use Off-Chip Synthesizer
MAX2903EGI	Europe	867 to 870	Internal Dual Channel
MAX2904EGI	Europe	867 to 870	Use Off-Chip Synthesizer



FREE Wireless Design Guide—Sent Within 24 Hours!
Includes: Reply Cards for Free Samples and Data Sheets

CALL TOLL-FREE 1-800-998-8800 for a Design Guide or Free Sample
6:00 a.m. – 6:00 p.m. Pacific Time

MAXIM
www.maxim-ic.com

2001 EDITION!
FREE FULL-LINE DATA CATALOG
ON CD-ROM

