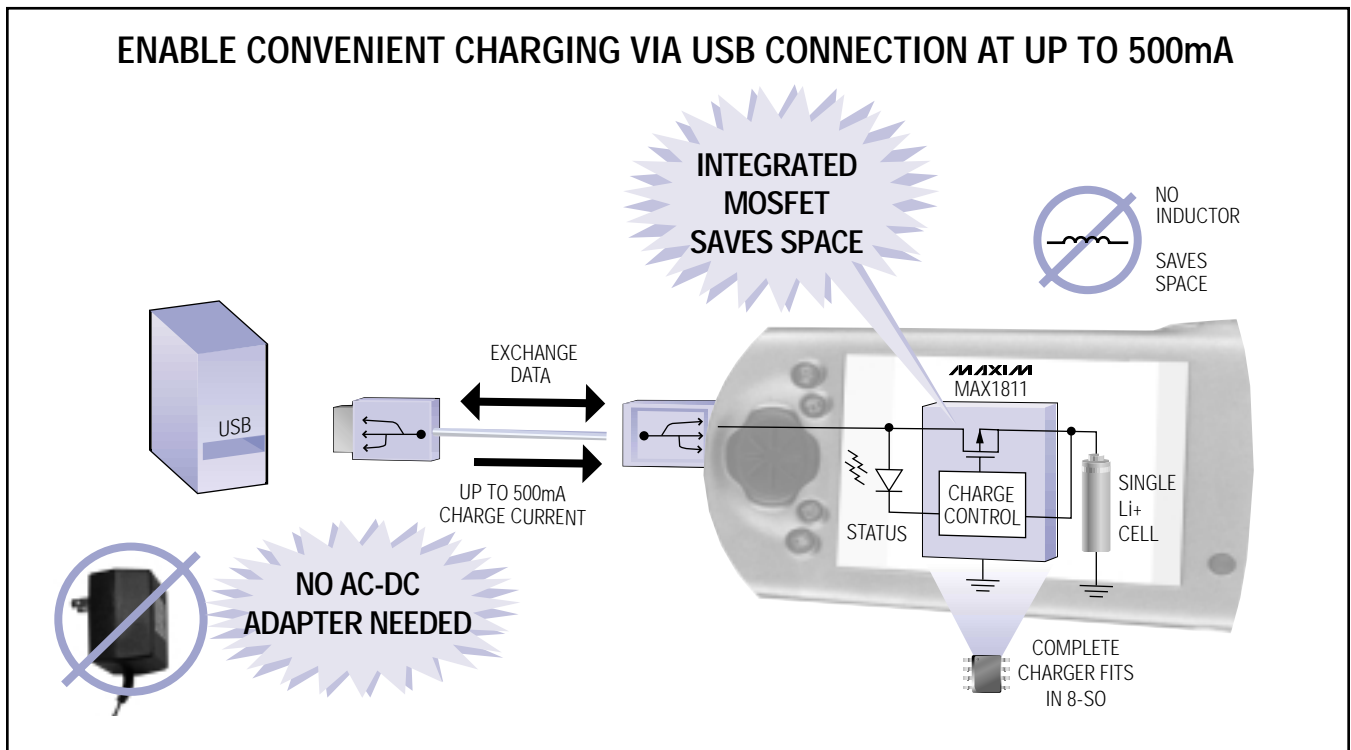


FIRST USB-POWERED Li-ION BATTERY CHARGER IC

Charge from the USB Port and Eliminate the Extra AC-DC Adapter

The MAX1811 is a stand-alone, single-cell Li+ battery charger that can be powered directly from a USB port or from an external supply up to 6.5V. The charger can be pin-configured for either 4.1V or 4.2V. The charge current can be set to either 100mA or 500mA using logic-control, allowing it to meet the USB current requirements.



- ◆ Charges Li+ Battery Directly from USB Port
- ◆ No Inductor—Saves Space
- ◆ Automatic Power Detection Eliminates Reverse Protection Diode
- ◆ Thermal Limiting
- ◆ Preconditions Near-Dead Cells
- ◆ Battery Fault Detector
- ◆ 0.5% Overall Voltage Tolerance



FREE Power Supplies Design Guide—Sent Within 24 Hours!
Includes: Reply Cards for Free Samples and Data Sheets

CALL TOLL-FREE 1-800-998-8800 for a Design Guide or Free Sample
6:00 a.m. – 6:00 p.m. Pacific Time

MAXIM
www.maxim-ic.com

2000 EDITION!
FREE FULL-LINE DATA CATALOG
ON CD-ROM



NEW! Get Price, Delivery, and Place Orders
Online at www.maxim-ic.com

Maxim Integrated Products, 120 San Gabriel Drive, Sunnyvale, CA 94086, (408) 737-7600, FAX (408) 737-7194.

Distributed by Maxim Distribution, Arrow, Avnet Electronics Marketing, CAM RPC, Digi-Key, Elmo, Nu Horizons, and Zeus.
Distributed in Canada by Arrow and Avnet Electronics Marketing.

MAXIM is a registered trademark of Maxim Integrated Products, Inc. © 2001 Maxim Integrated Products.