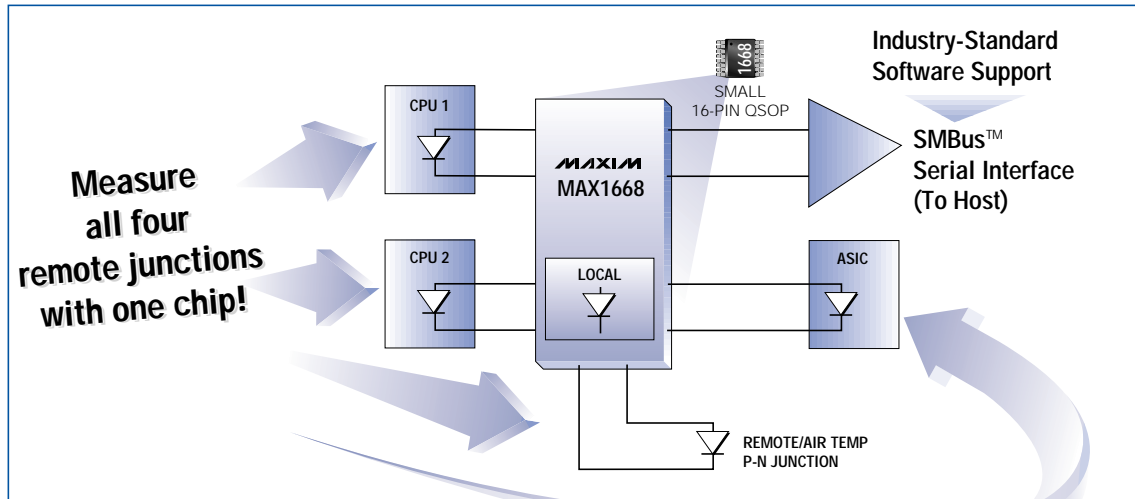


# WORLD'S FIRST FIVE-TEMP SENSOR FOR SERVER CPUs

Measure Local Temperature Plus Two or Four Remote/External P-N Junctions



- ◆ MAX1668: Measures 5 Temperatures
  - ◆ 4 External/Remote P-N Junctions
  - ◆ 1 Internal Temperature Sensor
- ◆ MAX1805: Measures 3 Temperatures
  - ◆ 2 External/Remote P-N Junctions
  - ◆ 1 Internal Temperature Sensor
- ◆ High Accuracy
  - ◆ Within  $\pm 3^{\circ}\text{C}$  ( $+60^{\circ}\text{C}$  to  $+100^{\circ}\text{C}$ , Internal)
  - ◆ Within  $\pm 5^{\circ}\text{C}$  ( $-40^{\circ}\text{C}$  to  $+125^{\circ}\text{C}$ )
- ◆ 2-Wire Serial Interface (SMBus)
- ◆ +3V to +5.5V Supply Voltage
- ◆ Low Power
  - ◆ 500 $\mu\text{A}$  (max) Supply Current in Autoconvert Mode
  - ◆ 3 $\mu\text{A}$  (typ) Standby Supply Current
- ◆ 16-Pin QSOP Package

The MAX1668 is the world's first digital temperature sensor capable of monitoring the temperature of five locations within a system. With an on-board temperature sensor and the ability to connect up to four external P-N junctions, this device offers a first in integration and system thermal management. The MAX1805 can monitor the temperature of three locations in a system. For both devices, remotely located diodes can be positioned close to "hot spots," enabling system management functions such as fan control, overtemperature alarms, and system shutdown. The MAX1668 and MAX1805 are packaged in a space-saving 16-pin QSOP.

SMBus is a trademark of Intel Corp.



**FREE Notebook Design Guide—Sent Within 24 Hours!**  
**Includes: Reply Cards for Free Samples and Data Sheets**

CALL TOLL-FREE 1-800-998-8800 for a Design Guide or Free Sample  
 6:00 a.m. – 6:00 p.m. Pacific Time

**MAXIM**  
[www.maxim-ic.com](http://www.maxim-ic.com)

2000 EDITION!  
 FREE FULL-LINE DATA CATALOG  
 ON CD-ROM



**NEW!** Get Price, Delivery, and Place Orders  
 Online at [www.maxim-ic.com](http://www.maxim-ic.com)

Maxim Integrated Products, 120 San Gabriel Drive, Sunnyvale, CA 94086, (408) 737-7600, FAX (408) 737-7194.

Distributed by Maxim Distribution, Arrow, Avnet Electronics Marketing, CAM RPC, Digi-Key, Elmo, Nu Horizons, and Zeus.  
 Distributed in Canada by Arrow and Avnet Electronics Marketing.

MAXIM is a registered trademark of Maxim Integrated Products. © 2000 Maxim Integrated Products.