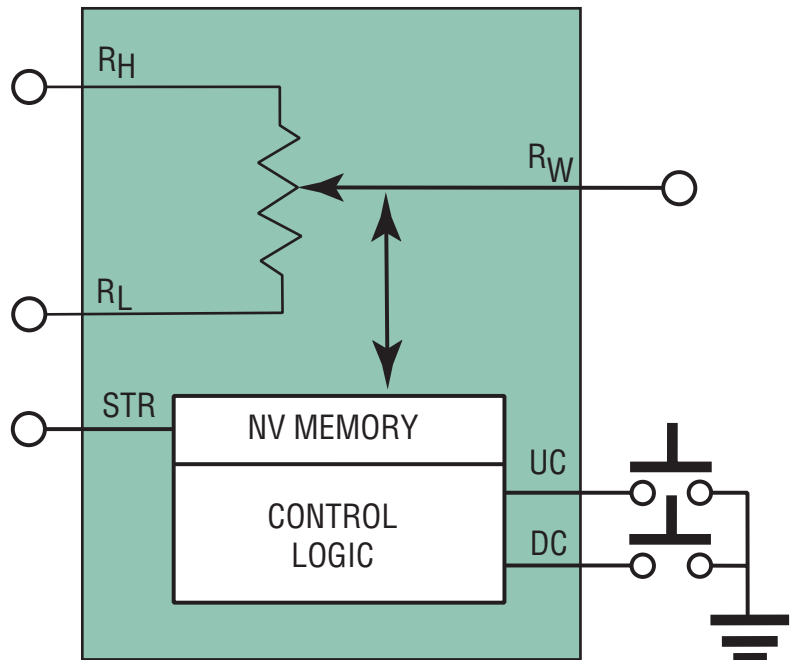


DIGITAL POTENTIOMETER HAS SIMPLEST INTERFACE

Direct Pushbutton Interface With No Additional Components

The DS1809 is a nonvolatile digitally controlled potentiometer that provides 64 uniform wiper positions over the entire resistor range, including the high-end and low-end terminals of the device. This low-power device operates from power supplies of +4.5V to +5.5V and is ideal for low-power, portable, or battery-powered applications.

- ◆ **Patented Dual Pushbutton (or Contact Closure) Interface**
 - No External Debounce Circuitry Required
 - Supports Single-Pulse or Continuous-Pulse (“Push-and-Hold”) Inputs
- ◆ **Wiper Position is Maintained in the Absence of Power**
- ◆ **Choice of Auto-Store or Command-Initiated Storage**
- ◆ **Greater Than 50k Write Cycles**
- ◆ **64-Position Linear Taper**
- ◆ **8-pin μ SOP or SOIC Packages**



PART NUMBER	END-TO-END RESISTANCE
DS1809-010	10k Ω
DS1809-050	50k Ω
DS1809-100	100k Ω

CALL TOLL-FREE 1-800-998-8800 for a Brochure or Free Sample
6:00 a.m.–6:00 p.m. Pacific Time



www.maxim-ic.com

FREE FULL-LINE DATA CATALOG
ON CD-ROM



NEW! Get Price, Delivery, and Place Orders
Online at www.maxim-ic.com

Dallas Semiconductor, 4401 South Beltwood Parkway, Dallas, Texas 75244-3292 Phone: 972-371-4448 Fax: 972-371-4470

MAXIM is a registered trademark of Maxim Integrated Products, Inc. © 2001 Maxim Integrated Products.